

IPC TRIKE FRAME XT912 MK4

PART NO. 113404

Copyright Notice

© Copyright Airborne Windsports Pty. Ltd. 2019

All rights reserved.

Except where the Copyright Act otherwise allows, no part of this parts catalogue may be reproduced, stored in a retrieval system in any form or transmitted by any means without prior permission in writing of Airborne Windsports Pty Ltd.

INTRODUCTION

This manual should be used in conjunction with the correct maintenance manual, and repairs should only be carried out by competent people. See the HOW TO USE THIS CATALOGUE section for detail on how to get the most benefit from this publication.

HOW TO USE THIS CATALOGUE

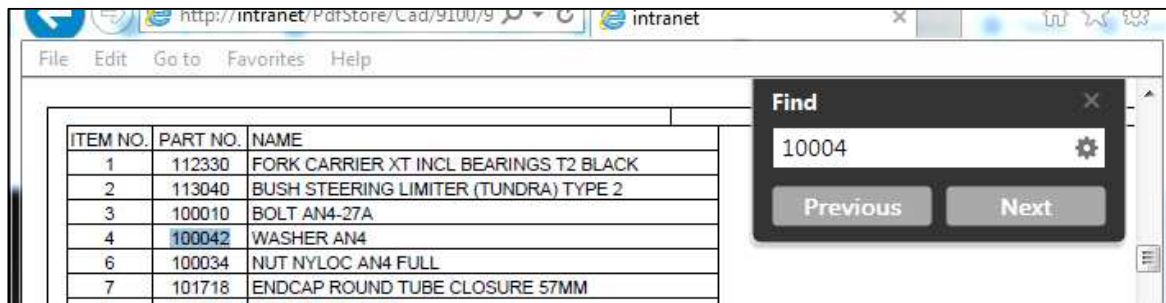
For parts for a specific aircraft, the aircraft base serial number is required as modifications occur over time. This is on the data plate rivetted on the mast block of the aircraft.

This part of the manual shows Contents as a trike base frame on page 5. The following pages show sections of the trike base frame. On the left (even) is an exploded diagram containing the parts, on the right (odd) page is a table of parts.

To find parts, go to the Contents, locate the area where your parts are from and go to that section of the catalogue. In the exploded diagram, identify a part by the item number in its pointing balloon, find the number in the table, and the part number and part description are given in the same row. Count the number of each required for your use.

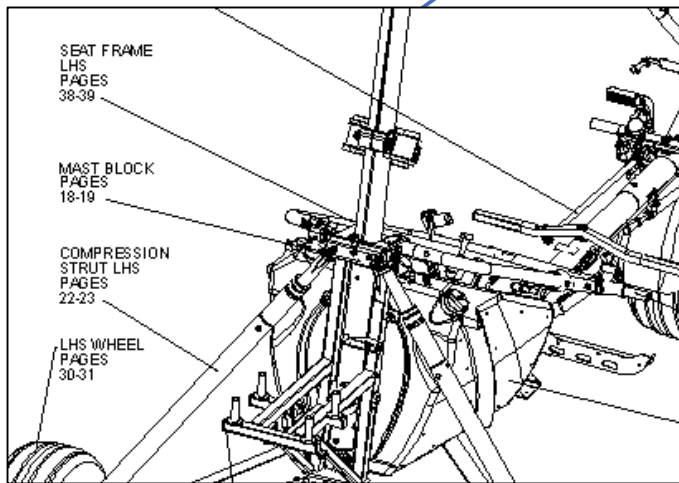
Or: If you know the part number or name already and want to know where it is used, the pdf is searchable when viewing electronically. To Search: From with the pdf, press and hold the Ctrl key, then press F. A little text box with the word "Find" or a magnifying glass in it appears or becomes active. Type all or part of the number or name and the document will jump to the next occurrence if it's in it, pressing Enter again or Next goes to the next occurrence.

Example using Ctrl F:

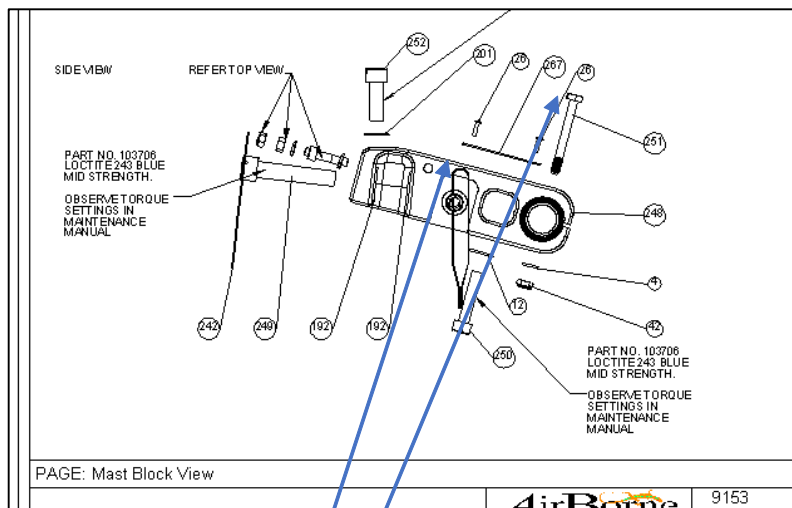


Example using the exploded diagrams:

A new rivet is needed for the data plate. On the Contents page the arrow pointing to it states the Mast Block is on pages 18-19.



Go to pages 18-19



PAGE: Mast Block View

AirBorne 9153

ITEM NO.	PART NO.	NAME
4	100042	WASHER AN4
12	102332	WASHER SS 5-16 X 3-4"
26	100162	POP RIVET AL 1/8 (4-4) SHORT
82	104582	SPRING WASHER 6MM ZINC
187	100093	WASHER SS304 1/2 X 1IN
196	100924	WASHER SS304 3/8 X 3/4
228	105884	SKT CAP SCREW M 6 X 12 ZINC
230	104575	NUT M 6 SS316
231	105469	STUD M6X34 SS
232	104895	OVER-CENTRE SOCKET EDGE XT RHS
233	104894	OVER-CENTRE SOCKET EDGE XT LHS
237	106264	TIE WIRE - 200 L
243	104734	SEAT MAST BLOCK XT
244	106448	SKT CAP SCREW M12X 60 DRILLED
245	106449	SKT CAP SCREW M 8 X 40 DRILLED
246	100549	BOLT AN4-22A
247	105944	SKT CAP SCREW M10X 30 DRILLED
267	107566	DATA PLATE EDGE XT912-L LSA

In the exploded diagrams, the rivets that hold the data plate have item number 26, look that up in the table, and Part No. and Name is given as 100162 POP RIVET AL 1/8 (4-4) SHORT.

CONTENTS

INTRODUCTION & HOW TO USE THIS CATALOGUE PAGES 2-3

TABLE OF CONTENTS AND ILLUSTRATED TRIKE BASE FRAME CONTENTS PAGES 4-5

FORK CARRIER PAGES 6-7

FRONT SUSPENSION PAGES 8-9

PEDALS & FORK PAGES 10-11

BASE TUBE PAGES 12-13

REAR END RHS PAGES 14-15

REAR END LHS PAGES 16-17

MAST BLOCK PAGES 18-19

COMPRESSION STRUT RHS PAGES 20-21

COMPRESSION STRUT LHS PAGES 22-23

DRAG LINK RHS PAGES 24-25

DRAG LINK LHS PAGES 26-27

RHS REAR WHEEL PAGES 28-29

LHS WHEEL PAGES 30-31

FRONT WHEEL PAGES 32-33

FUEL TANK PAGES 34-35

SEAT FRAME RHS PAGES 36-37

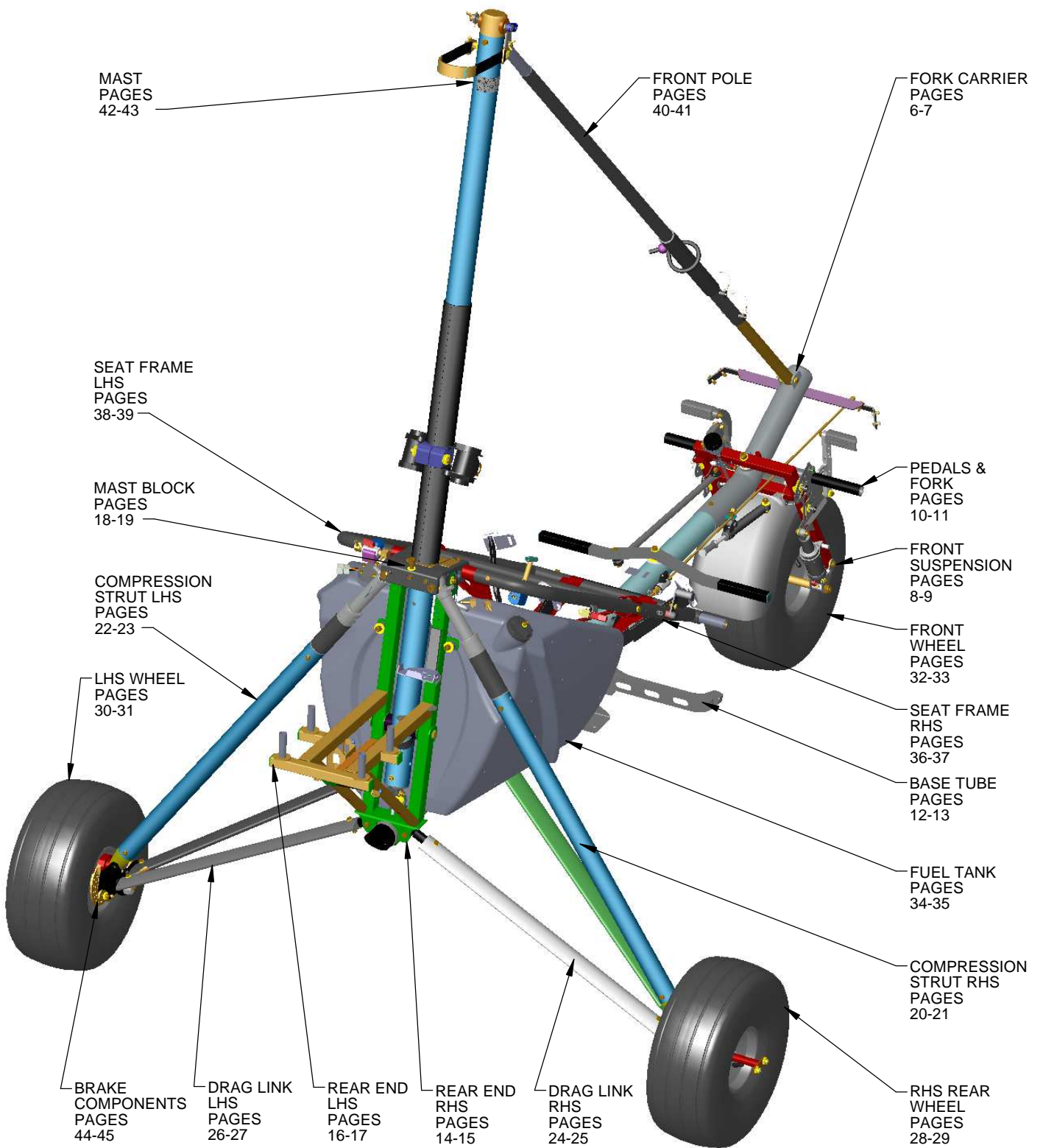
SEAT FRAME LHS PAGES 38-39

FRONT POLE PAGES 40-41

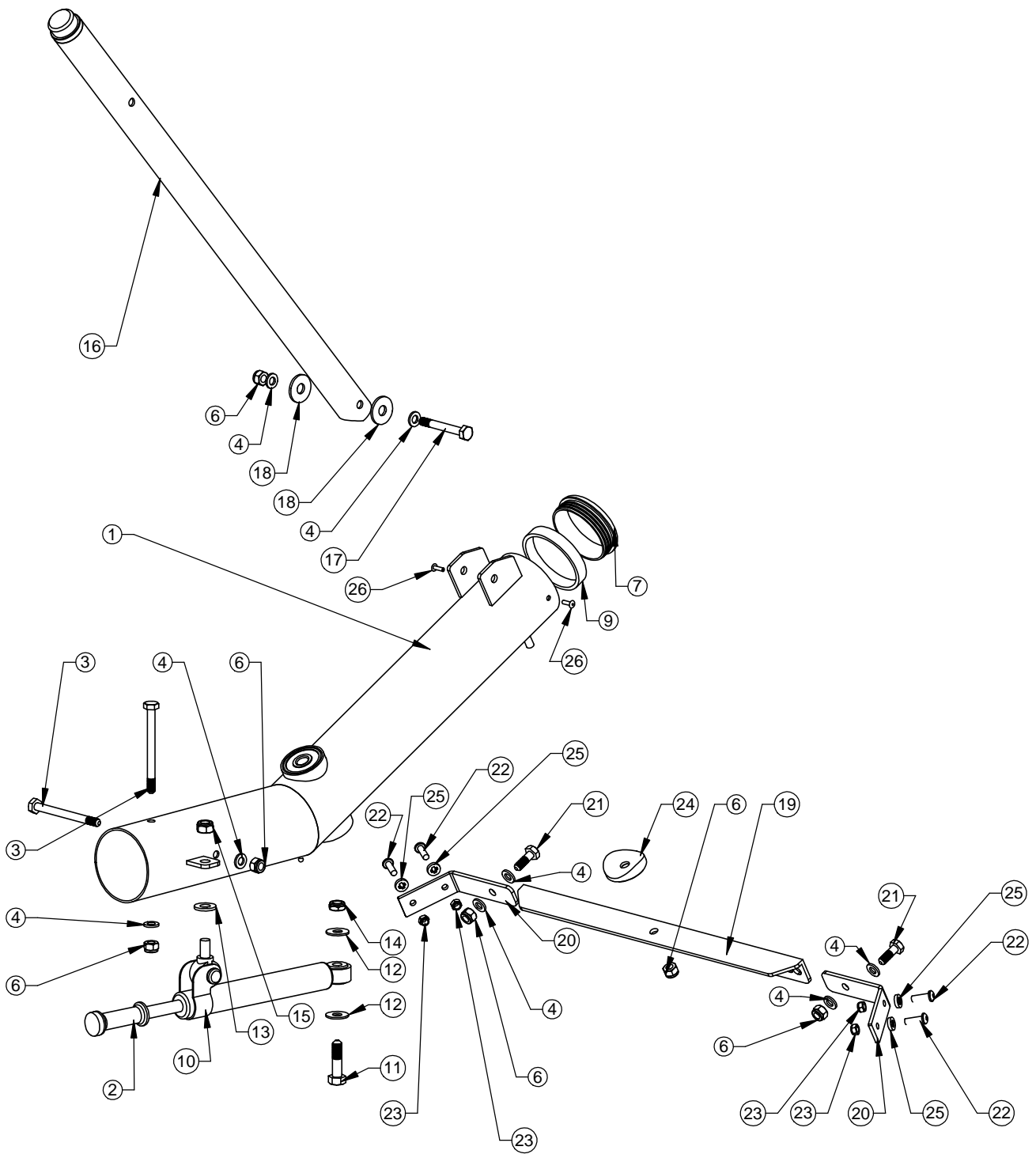
MAST PAGES 42-43

BRAKE COMPONENTS PAGES 44-45

END OF SECTION PAGE 46

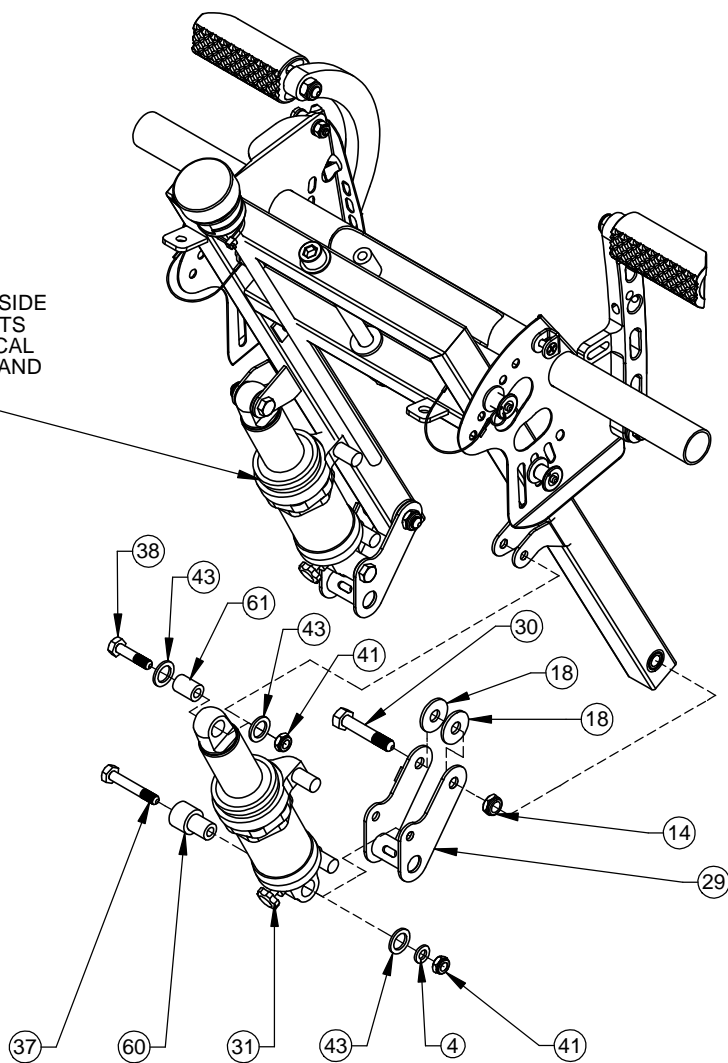


PAGE: Trike Base Frame Contents

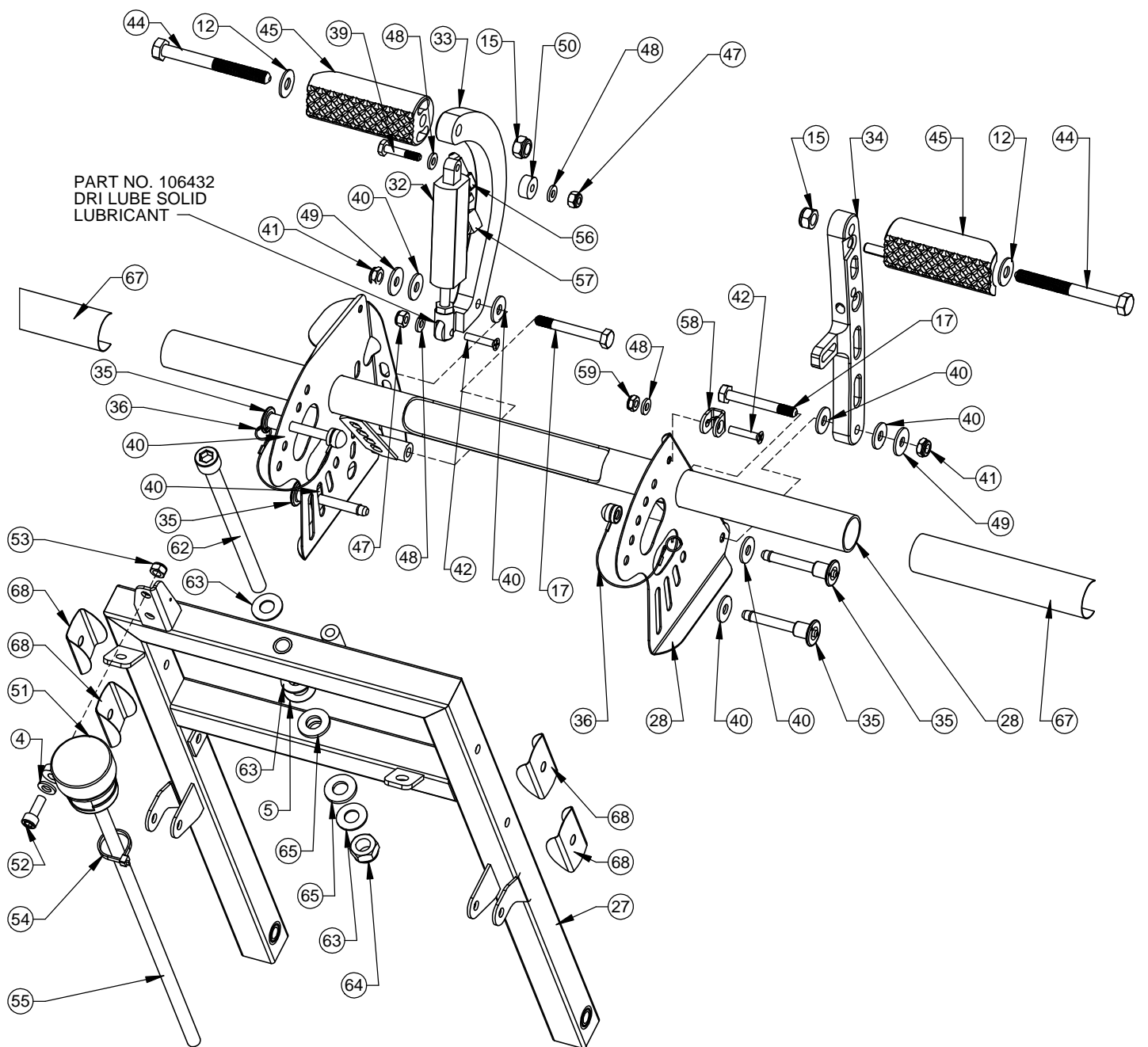


ITEM NO.	PART NO.	NAME
1	112330	FORK CARRIER XT INCL BEARINGS T2 BLACK
2	113040	BUSH STEERING LIMITER (TUNDRA) TYPE 2
3	100010	BOLT AN4-27A
4	100042	WASHER AN4
6	100034	NUT NYLOC AN4 FULL
7	101718	ENDCAP ROUND TUBE CLOSURE 57MM
9	104548	SLEEVE 60DX 10L
10	100628	STEERING DAMPENER
11	102743	BOLT AN5-11
12	102332	WASHER SS 5-16 X 3-4"
13	100595	WASHER NYLON M8 STD
14	100037	NUT NYLOC AN5 HALF
15	100915	NUT NYLOC M 8 ZINC
16	112507	MAST BRACE BTM WITH BUNG XT912 TYPE 2
17	100006	BOLT AN4-20A
18	100820	WASHER NYLON M 8 XOD
19	100389	COCKPIT ANGLE BRKT STRAIGHT
20	100390	COCKPIT FRONT MOUNT BRACKET BENT
21	100002	BOLT AN4- 6A
22	103182	SKT BUTTON SCREW M5 X 16 SS304
23	101365	NUT NYLOC M 5 ZINC
24	100080	SADDLE 60MM TUBE
25	108301	WASHER FLUTED NEOPRENE SEAL 12 GAUGE
26	100162	POP RIVET AL 1/8 (4-4) SHORT
47	100051	NUT NYLOC AN3 FULL

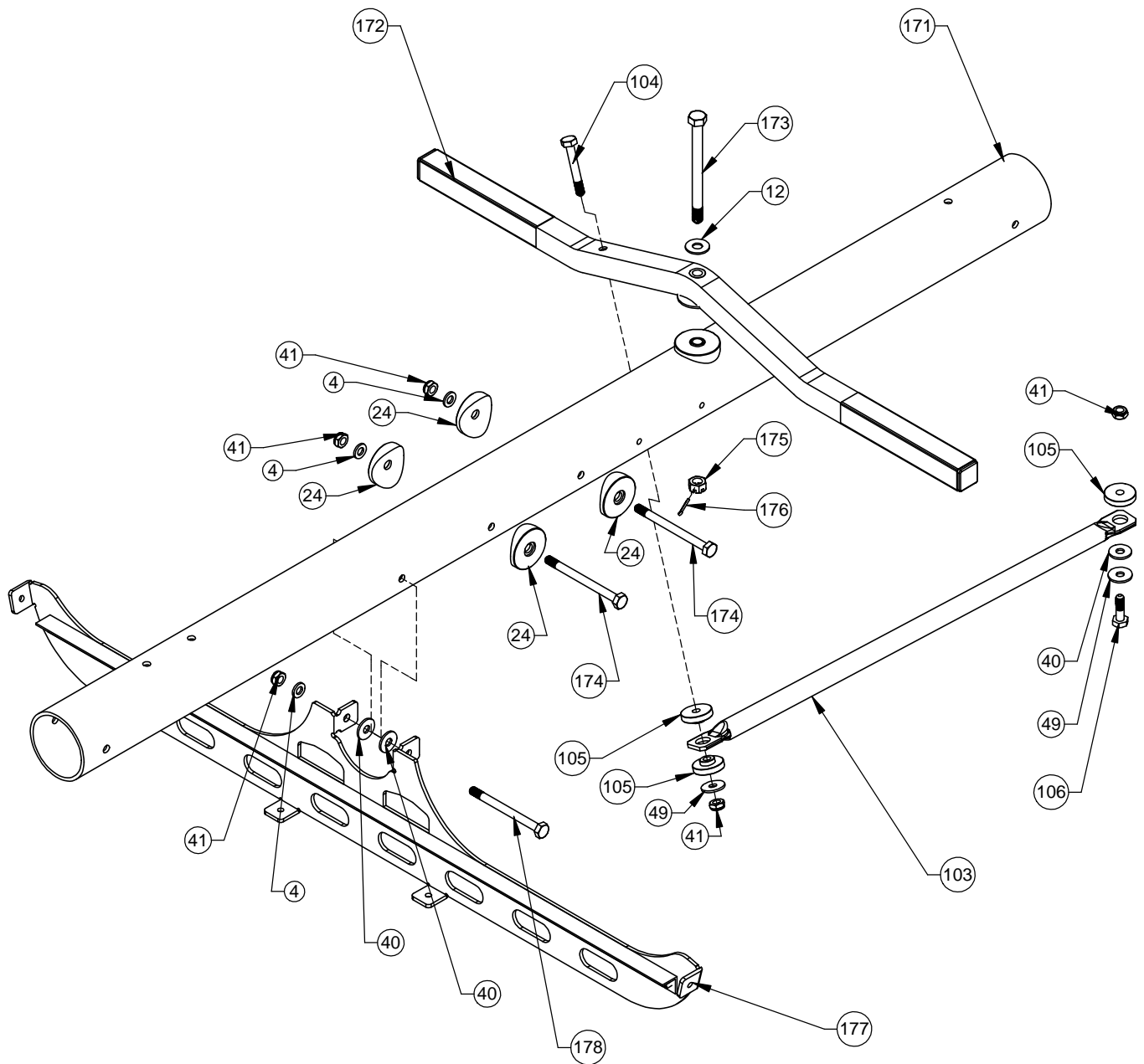
NOTE:
LEFT HAND SIDE
COMPONENTS
ARE IDENTICAL
TO RIGHT HAND
SIDE.



ITEM NO.	PART NO.	NAME
4	100042	WASHER AN4
17	100820	WASHER NYLON M 8 XOD
14	100037	NUT NYLOC AN5 HALF
29	113035	FRNT SUSP PIVOT ARM MK4 ADJUSTABLE
30	100015	BOLT AN5-15A
31	105349	SHOCK ABSORBER FRONT XT (OLEO)
37	100967	BOLT AN4-15A
38	100003	BOLT AN4-11A
41	100035	NUT NYLOC AN4 HALF
43	113082	WASHER NYLON M6 XOD MODIFIED
60	113081	BUSH STEPPED 18ODX 6.5IDX 29.5L 11.9 STP
61	113083	BUSH 11.9DX 6.5IDX 17L



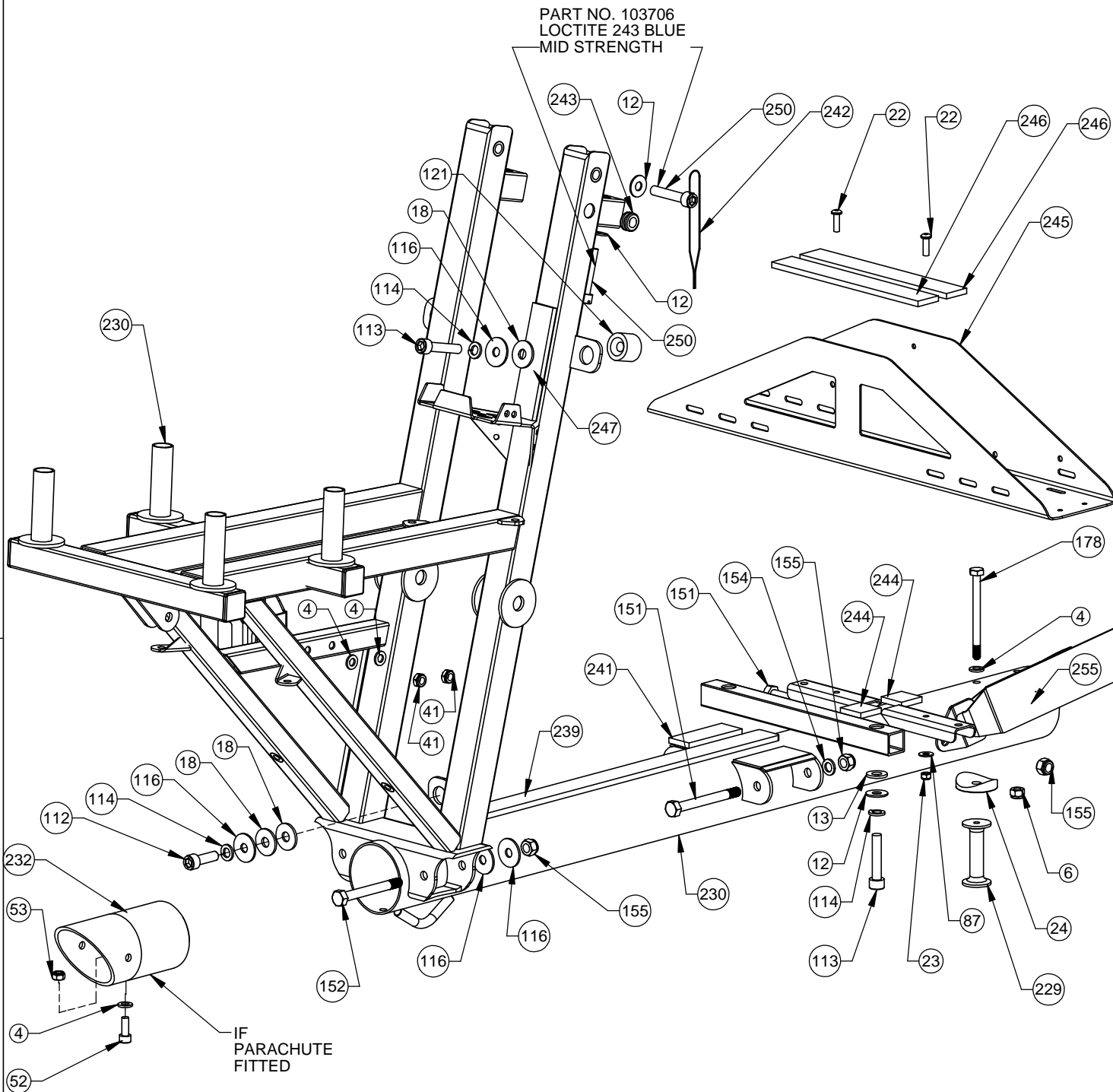
ITEM NO.	PART NO.	NAME
4	100042	WASHER AN4
5	108963	WASHER MYLAR 22X11.5
12	102332	WASHER SS 5-16 X 3-4"
15	100915	NUT NYLOC M 8 ZINC
17	100006	BOLT AN4-20A
27	113028	FORK TUNDRA TYPE 2 BLK
28	113033	FORK TUNDRA TYPE 2 ADJUSTER ASM
32	111133	DISK BRAKE MASTER CYL TYPE 2
33	113012	BRAKE LEVER FOOT TYPE 2 AL XT
34	108467	FOOT THROTTLE LEVER TYPE AL XT
35	102147	PIP PIN 33
36	101418	PIP PIN CAP WITH WIRE
39	102927	BOLT AN3-10A
40	101055	WASHER NYLON M6 XOD
41	100035	NUT NYLOC AN4 HALF
42	104203	MACH SCREW MS24694-S 56 3/16X29/32IN
44	100908	BOLT 8.8 GR M 8X 80 ZINC PLATED
45	108477	FOOT LEVER ACETAL TOP ARM
47	100051	NUT NYLOC AN3 FULL
48	100049	WASHER AN3
49	102018	WASHER SS 1-4 X 3-4"
50	113042	SPACER AL 15DX5IDX6.5L
51	112860	BRAKE FLUID RESERVOIR
52	103187	SKT CAP SCREW M 6 X 16 ZINC
53	102132	NUT NYLOC M 6 ZINC
54	101193	CABLE TIE (MEDIUM) 140MM
55	113062	HOSE 5MM FUEL GRADE CLEAR 300L
56	112712	BRAKE JIC-03 FIT 1/8 NPT ELBOW FBI 13843
57	100876	ELBOW TANK/SIGHT 1/8IN BSP BRASS
58	113072	CABLE MOUNT
59	101334	NUT NYLOC AN3 HALF
62	108101	SKT CAP SCREW M10X150 ZINC PLATED
63	103458	WASHER SS 10 X 21mm
64	100802	NUT NYLOC M10 ZINC
65	100619	WASHER NYLON M10 STD
67	105396	GRIP TAPE FRONT FORK STEERING ARM
68	113043	WASHER STICKYBACK DACRON RED 50 ODX7ID



ITEM NO.	PART NO.	NAME
4	100042	WASHER AN4
12	102332	WASHER SS 5-16 X 3-4"
24	100080	SADDLE 60MM TUBE
40	101055	WASHER NYLON M6 XOD
41	100035	NUT NYLOC AN4 HALF
49	102018	WASHER SS 1-4 X 3-4"
103	112555	STEERING LINKAGE XT912 MK3 BLACK
104	100004	BOLT AN4-16
105	110564	BUSH STEPPED 25ODX 6.35IDX 8.5L 12D STEP
171	112331	BASE TUBE EDGE XT INCL FITTINGS TYPE 2
172	112500	REAR STEERING ARM TYPE 3 BLACK
173	106618	BOLT AN5-36
174	100631	BOLT AN4-31
175	101182	NUT CASTLE AN5
176	100308	SPLIT PIN M2.0 X 20
177	112518	COCKPIT REAR BRACKET ASM XT912 MK3&4 BLK
178	100011	BOLT AN4-30A

PAGE: Basetube Parts

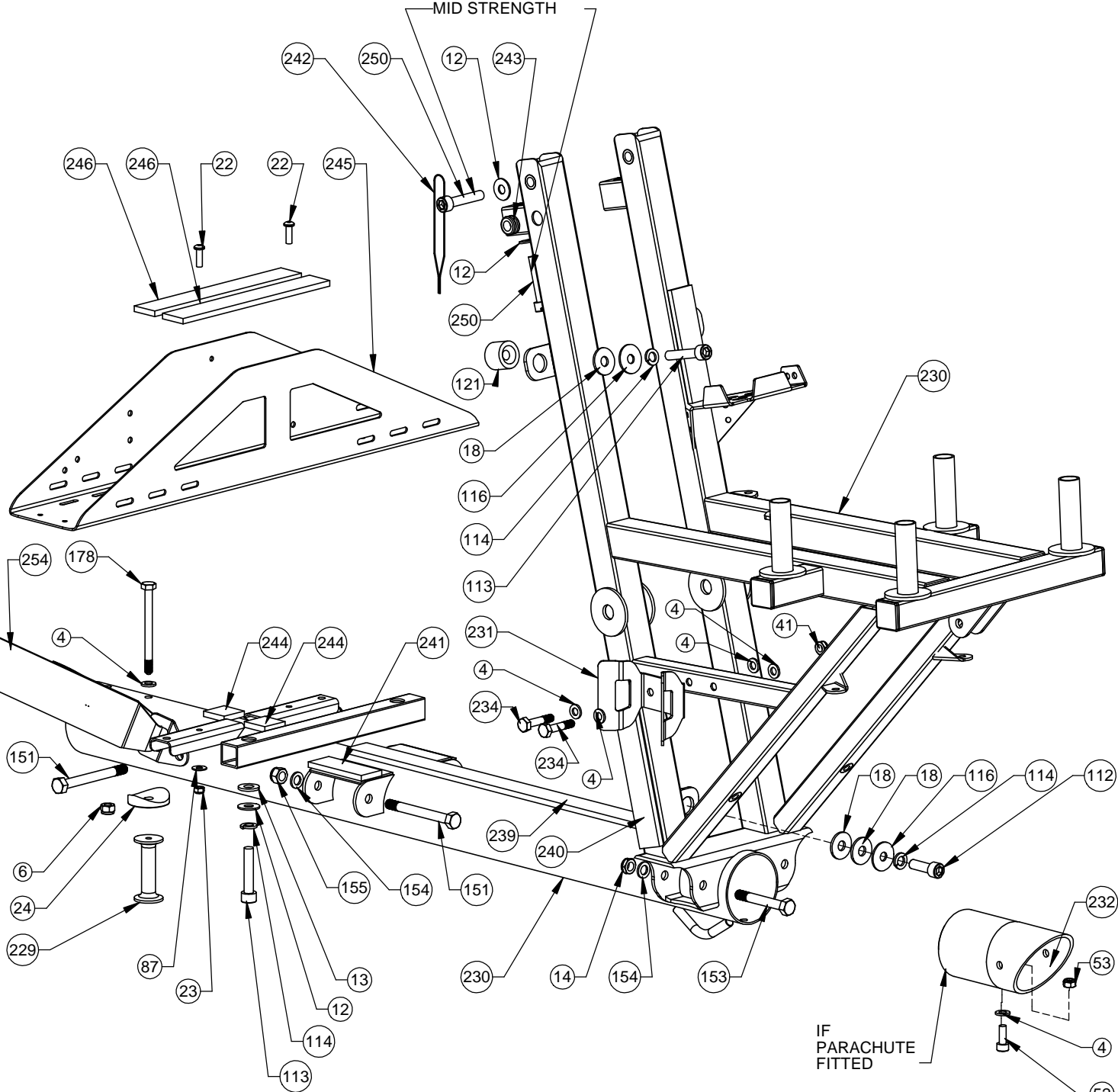
PART NO. 103706
 LOCTITE 243 BLUE
 MID STRENGTH



ONLY
 RIGHT HAND
 SIDE COMPONENTS
 ON THIS PAGE.
 SEE PAGE
 REAR END LHS VIEW
 FOR LEFT SIDE.

ITEM NO.	PART NO.	NAME
4	100042	WASHER AN4
6	100034	NUT NYLOC AN4 FULL
12	102332	WASHER SS 5-16 X 3-4"
13	100595	WASHER NYLON M8 STD
18	100820	WASHER NYLON M 8 XOD
22	103182	SKT BUTTON SCREW M5 X 16 SS304
23	101365	NUT NYLOC M 5 ZINC
24	100080	SADDLE 60MM TUBE
41	100035	NUT NYLOC AN4 HALF
52	103187	SKT CAP SCREW M 6 X 16 ZINC
53	102132	NUT NYLOC M 6 ZINC
87	100569	WASHER SS 3-16 X 1-2"
112	100980	SKT CAP SCREW M 8 X 25 ZINC
113	101519	SKT CAP SCREW M 8 X 40 ZINC
114	101366	SPRING WASHER 8MM ZINC
116	100714	WASHER SS304 5/16 X 1IN X 16G
121	112863	BUSH ACETAL 25OD 8.4ID 18L
151	100021	BOLT AN5-30A
152	104713	BOLT AN5-26A
154	100043	WASHER AN5
155	100036	NUT NYLOC AN5 FULL
178	100011	BOLT AN4-30A
229	112684	COCKPIT REAR POST XT912 MK3
230	112326	REAR END COMPLETE XT912 TYPE 3 BLACK
239	107576	FOAM BUFFER 25X400L
241	105837	FOAM BUFFER FUEL TANK XT 65L
242	106264	TIE WIRE - 200 L
243	106918	GROMMET RUBBER 13X 9MM
244	107171	FOAM BUFFER 25X25L ADHESIVE
245	112333	BATTERY MOUNT BOX TYPE 3 BLACK
246	112895	FOAM BUFFER 25X180L ADHESIVE
247	111672	FOAM BUFFER 25X100L ADHESIVE
250	106449	SKT CAP SCREW M 8 X 40 DRILLED
255	109199	SEAT BELT LAP FRNT XT ASM TYPE 3 RHS 409

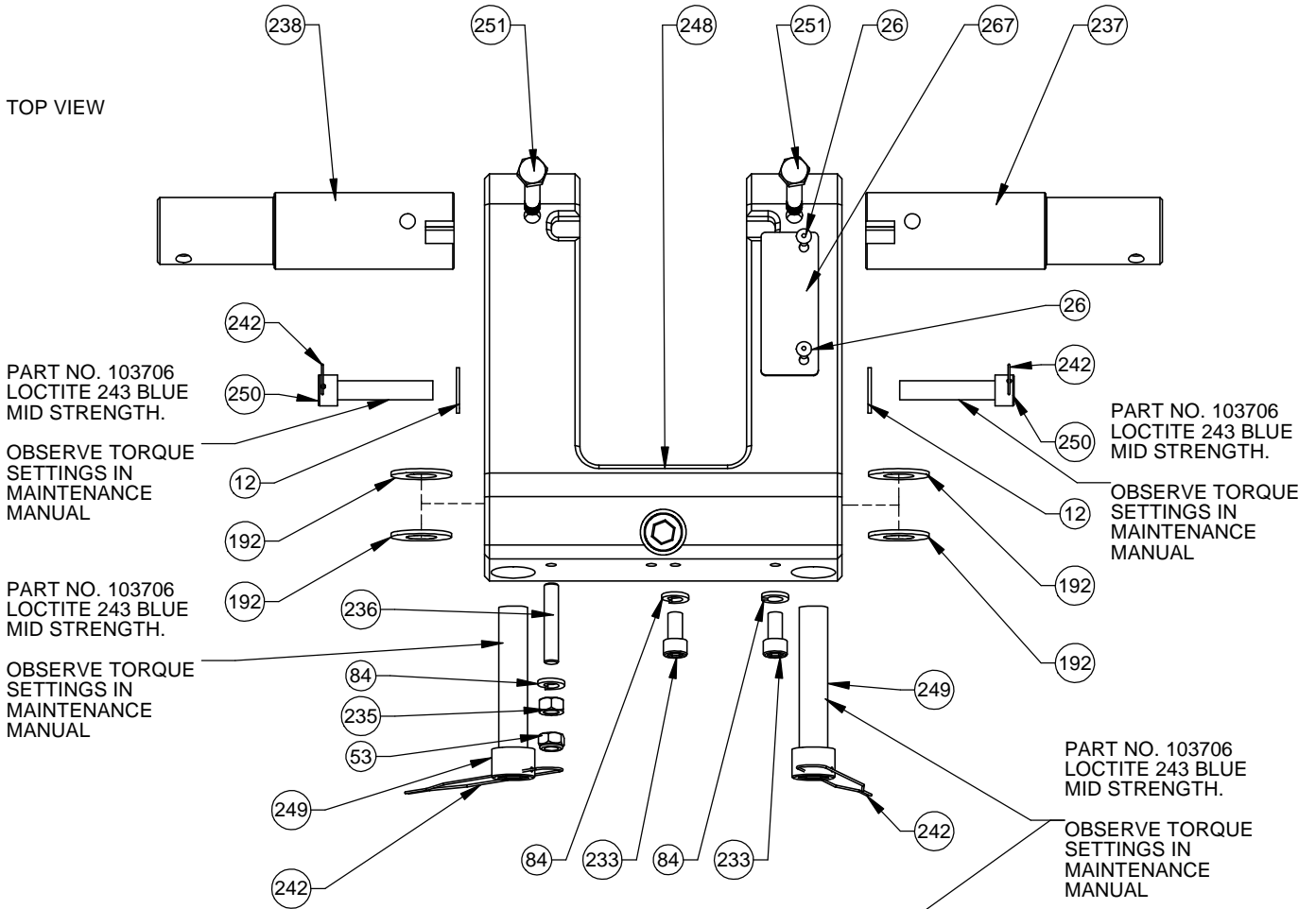
PART NO. 103706
LOCTITE 243 BLUE
MID STRENGTH



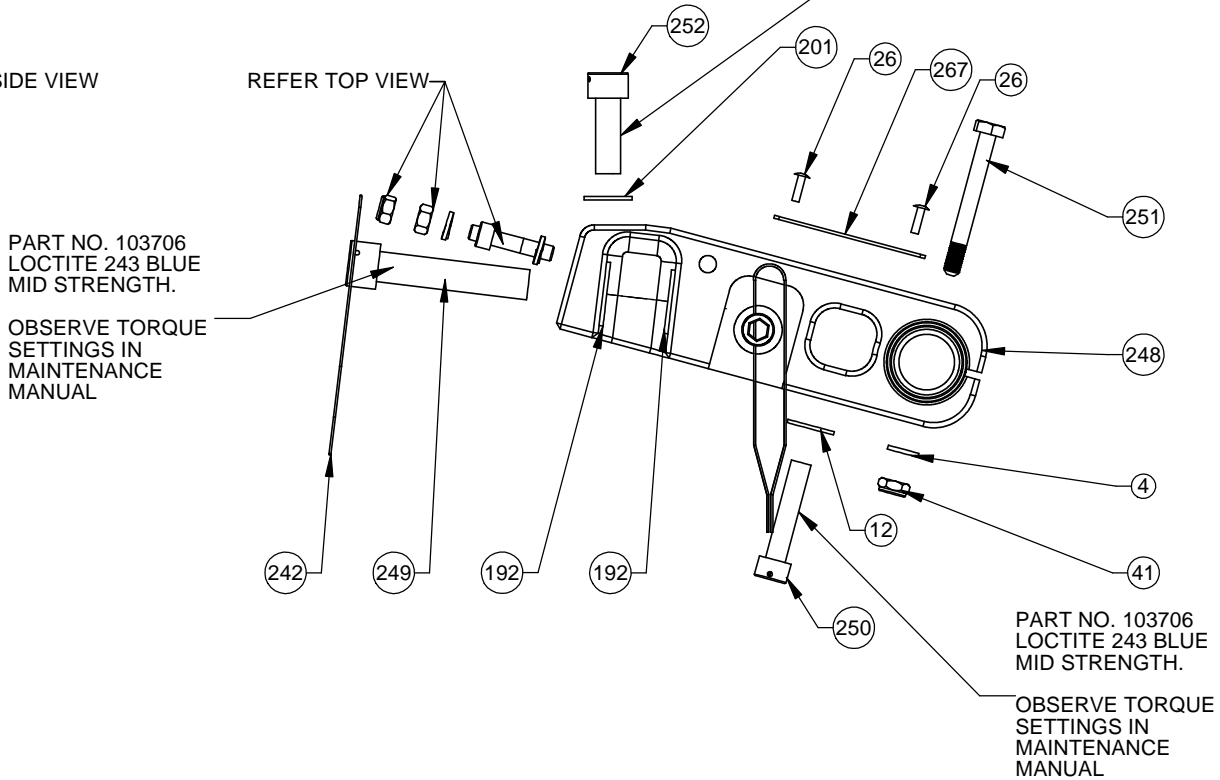
ONLY
LEFT HAND
SIDE COMPONENTS
ON THIS PAGE.
SEE PAGE
REAR END RHS VIEW
FOR RIGHT SIDE.

ITEM NO.	PART NO.	NAME
4	100042	WASHER AN4
6	100034	NUT NYLOC AN4 FULL
12	102332	WASHER SS 5-16 X 3-4"
13	100595	WASHER NYLON M8 STD
14	100037	NUT NYLOC AN5 HALF
18	100820	WASHER NYLON M 8 XOD
22	103182	SKT BUTTON SCREW M5 X 16 SS304
23	101365	NUT NYLOC M 5 ZINC
24	100080	SADDLE 60MM TUBE
41	100035	NUT NYLOC AN4 HALF
52	103187	SKT CAP SCREW M 6 X 16 ZINC
53	102132	NUT NYLOC M 6 ZINC
87	100569	WASHER SS 3-16 X 1-2"
112	100980	SKT CAP SCREW M 8 X 25 ZINC
113	101519	SKT CAP SCREW M 8 X 40 ZINC
114	101366	SPRING WASHER 8MM ZINC
116	100714	WASHER SS304 5/16 X 1IN X 16G
121	112863	BUSH ACETAL 25OD 8.4ID 18L
151	100021	BOLT AN5-30A
153	100017	BOLT AN5-22A
154	100043	WASHER AN5
155	100036	NUT NYLOC AN5 FULL
178	100011	BOLT AN4-30A
229	112684	COCKPIT REAR POST XT912 MK3
230	112326	REAR END COMPLETE XT912 TYPE 3 BLACK
231	105200	OIL TANK BRACKET XT 2MM
232	105726	PARACHUTE MOUNT TUBE XT ALUMINIUM
233	105884	SKT CAP SCREW M 6 X 12 ZINC
234	100547	BOLT AN4-12A
239	107576	FOAM BUFFER 25X400L
240	106731	FOAM BUFFER 25X150L ADHESIVE
241	105837	FOAM BUFFER FUEL TANK XT 65L
242	106264	TIE WIRE - 200 L
243	106918	GROMMET RUBBER 13X 9MM
244	107171	FOAM BUFFER 25X25L ADHESIVE
245	112333	BATTERY MOUNT BOX TYPE 3 BLACK
246	112895	FOAM BUFFER 25X180L ADHESIVE
250	106449	SKT CAP SCREW M 8 X 40 DRILLED
254	109198	SEAT BELT LAP FRNT XT ASM TYPE 3 LHS 407

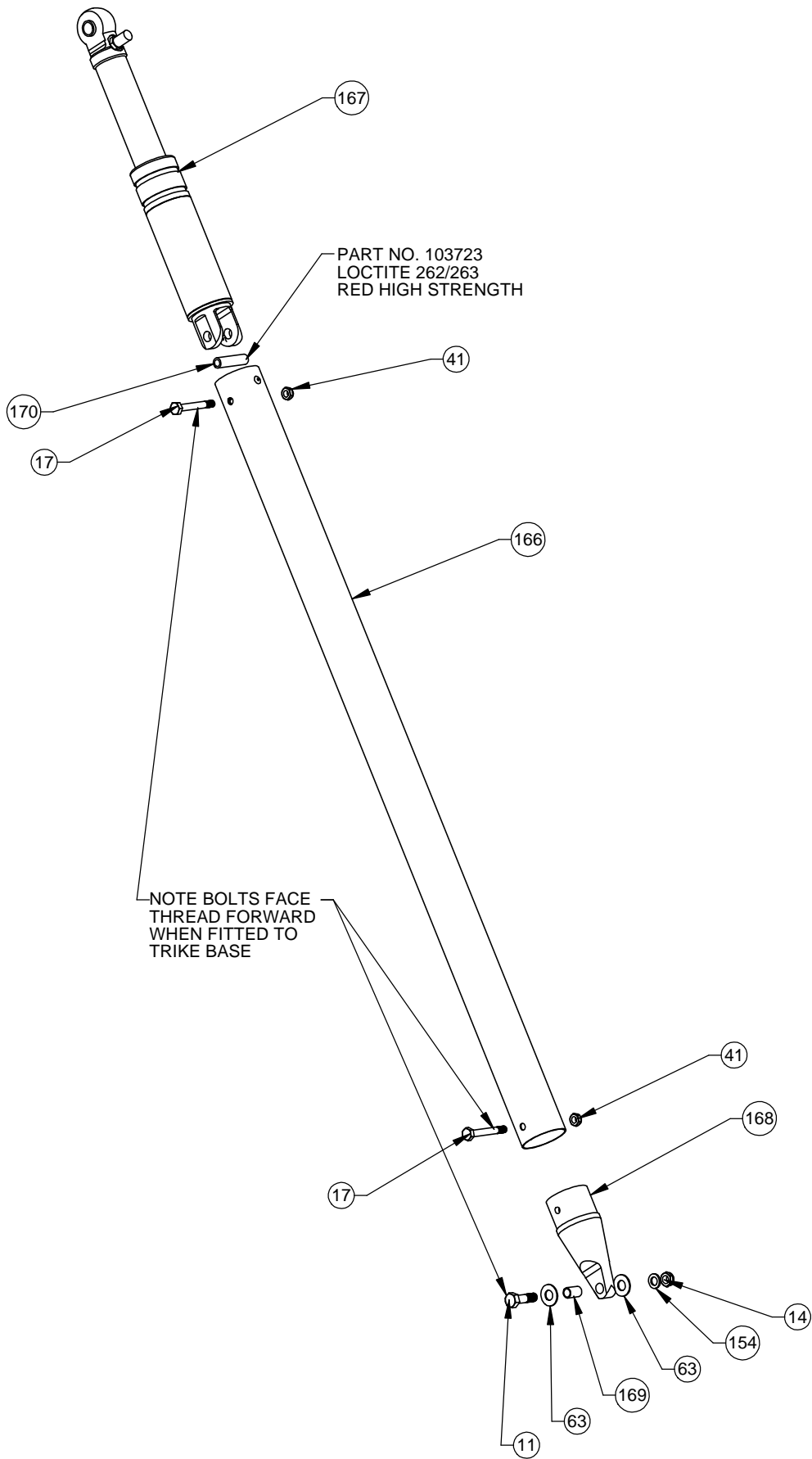
TOP VIEW



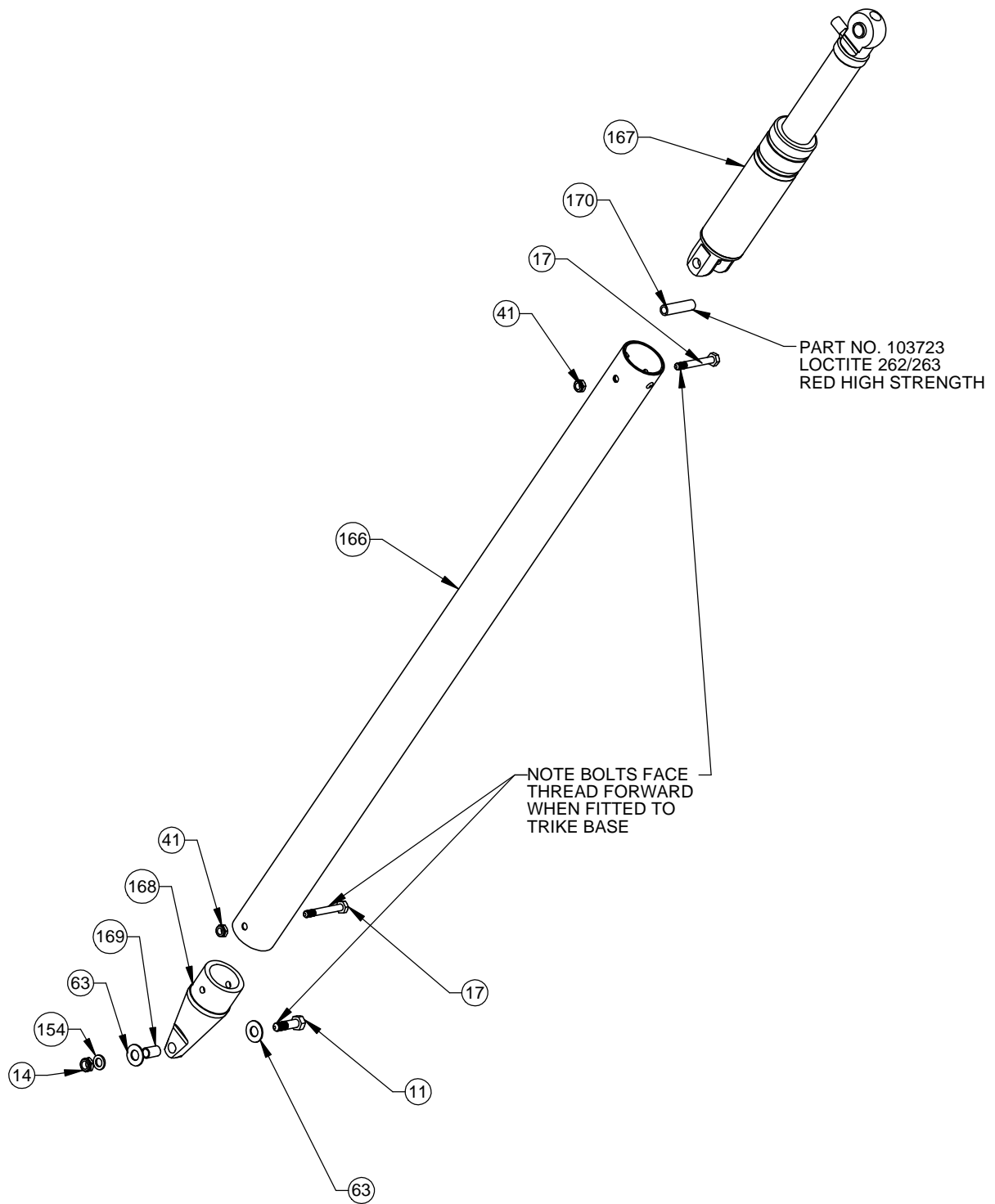
SIDE VIEW



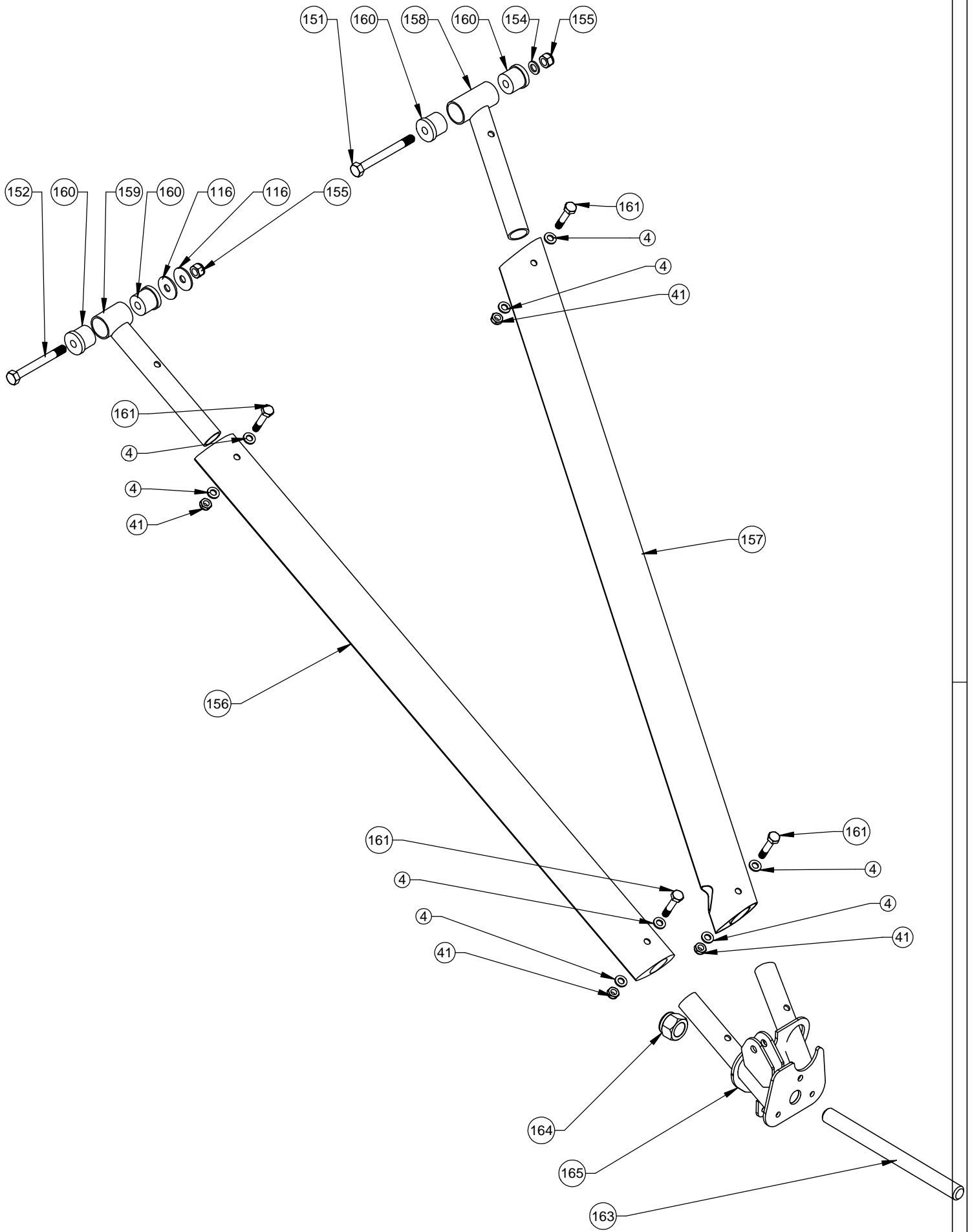
ITEM NO.	PART NO.	NAME
4	100042	WASHER AN4
12	102332	WASHER SS 5-16 X 3-4"
26	100162	POP RIVET AL 1/8 (4-4) SHORT
82	104582	SPRING WASHER 6MM ZINC
187	100093	WASHER SS304 1/2 X 1IN
196	100924	WASHER SS304 3/8 X 3/4
228	105884	SKT CAP SCREW M 6 X 12 ZINC
230	104575	NUT M 6 SS316
231	105469	STUD M6X34 SS
232	104895	OVER-CENTRE SOCKET EDGE XT RHS
233	104894	OVER-CENTRE SOCKET EDGE XT LHS
237	106264	TIE WIRE - 200 L
243	104734	SEAT MAST BLOCK XT
244	106448	SKT CAP SCREW M12X 60 DRILLED
245	106449	SKT CAP SCREW M 8 X 40 DRILLED
246	100549	BOLT AN4-22A
247	105944	SKT CAP SCREW M10X 30 DRILLED
267	107566	DATA PLATE EDGE XT912-L LSA



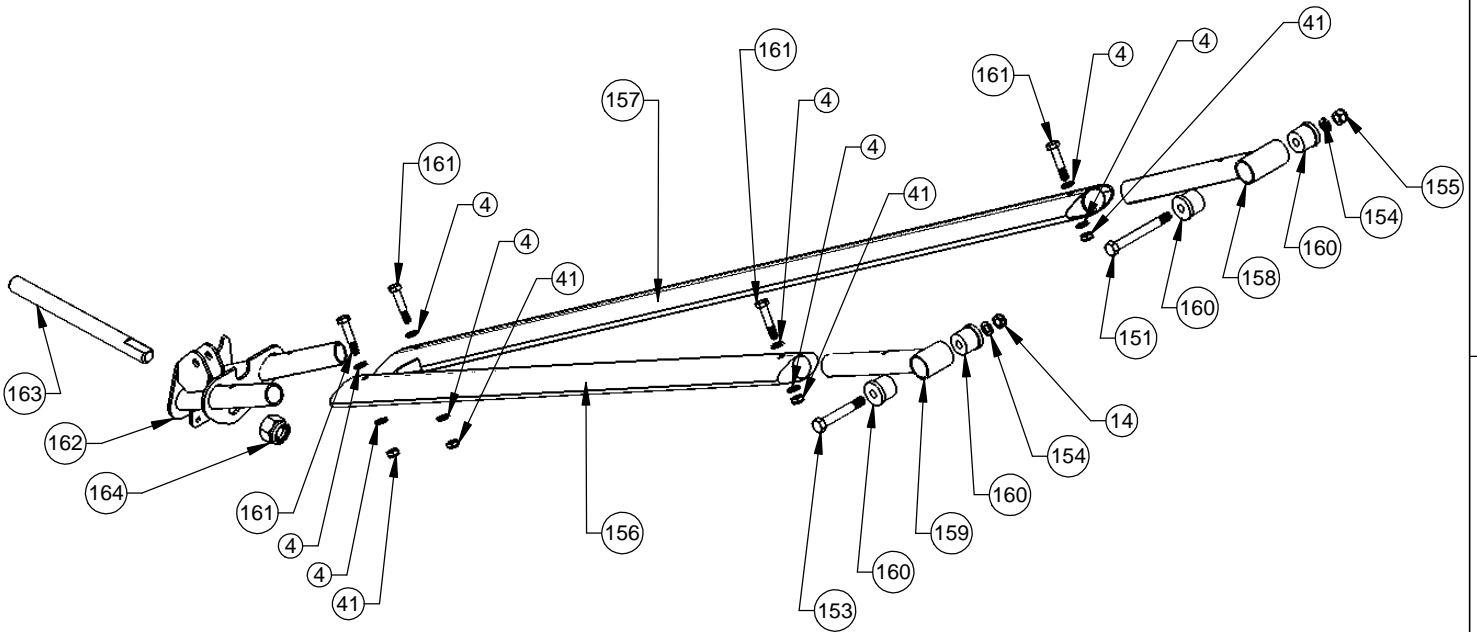
ITEM NO.	PART NO.	NAME
11	102743	BOLT AN5-11
14	100037	NUT NYLOC AN5 HALF
17	100006	BOLT AN4-20A
41	100035	NUT NYLOC AN4 HALF
63	103458	WASHER SS 10 X 21mm
154	100043	WASHER AN5
166	109122	COMPRESSION STRUT XT 818MM
167	105262	SHOCK ABSORBER REAR XT
168	104951	COMPRESSION STRUT KNUCKLE XT LOWER
169	102901	SPACER SS 10X1.0X15.8L
170	105102	BUSH ALLOY SHOCK MOUNT XT



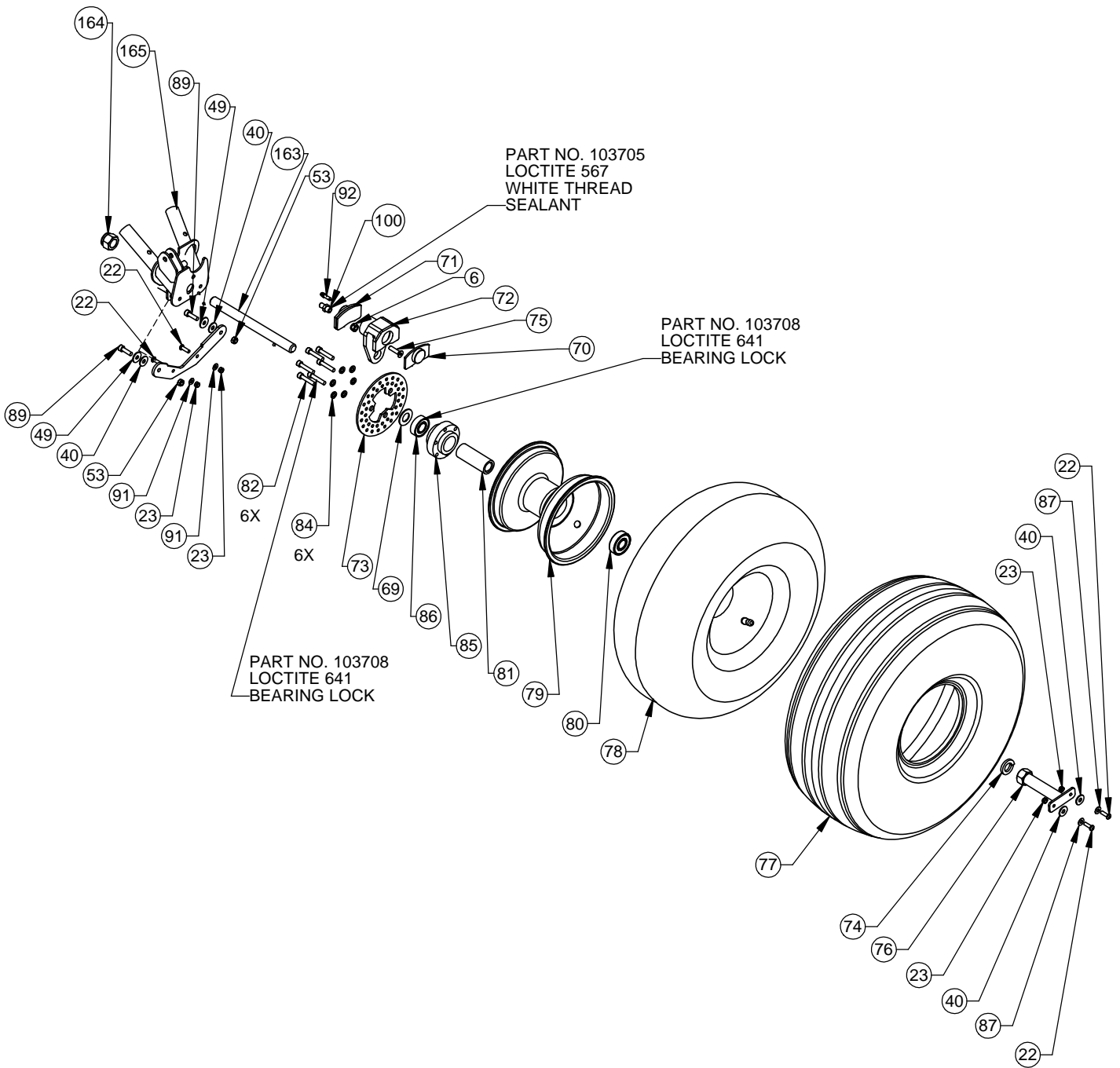
ITEM NO.	PART NO.	NAME
11	102743	BOLT AN5-11
14	100037	NUT NYLOC AN5 HALF
17	100006	BOLT AN4-20A
41	100035	NUT NYLOC AN4 HALF
63	103458	WASHER SS 10 X 21mm
154	100043	WASHER AN5
166	109122	COMPRESSION STRUT XT 818MM
167	105262	SHOCK ABSORBER REAR XT
168	104951	COMPRESSION STRUT KNUCKLE XT LOWER
169	102901	SPACER SS 10X1.0X15.8L
170	105102	BUSH ALLOY SHOCK MOUNT XT



ITEM NO.	PART NO.	NAME
4	100042	WASHER AN4
41	100035	NUT NYLOC AN4 HALF
116	100714	WASHER SS304 5/16 X 1IN X 16G
151	100021	BOLT AN5-30A
152	104713	BOLT AN5-26A
154	100043	WASHER AN5
155	100036	NUT NYLOC AN5 FULL
156	108448	REAR STRUT FAIRED XT 715MM
157	108449	REAR STRUT FAIRED DRAG LINK XT 797MM
158	109526	PIVOT BRACKET DRAG LINK XT TYPE 2 BLACK
159	112643	PIVOT BRACKET REAR STRUT XT BLACK
160	105176	BUSH ACETAL OD 22.2MM ID 8.1MM
161	101333	BOLT AN4-13A
163	110023	HUB AXLE EDGE XT TYPE 4 ZINC PLATED
164	105444	NUT NYLOC UNF 5/8IN ZINC
165	112642	HUB COMPONENT REAR XT TYPE 3 RHS BLACK

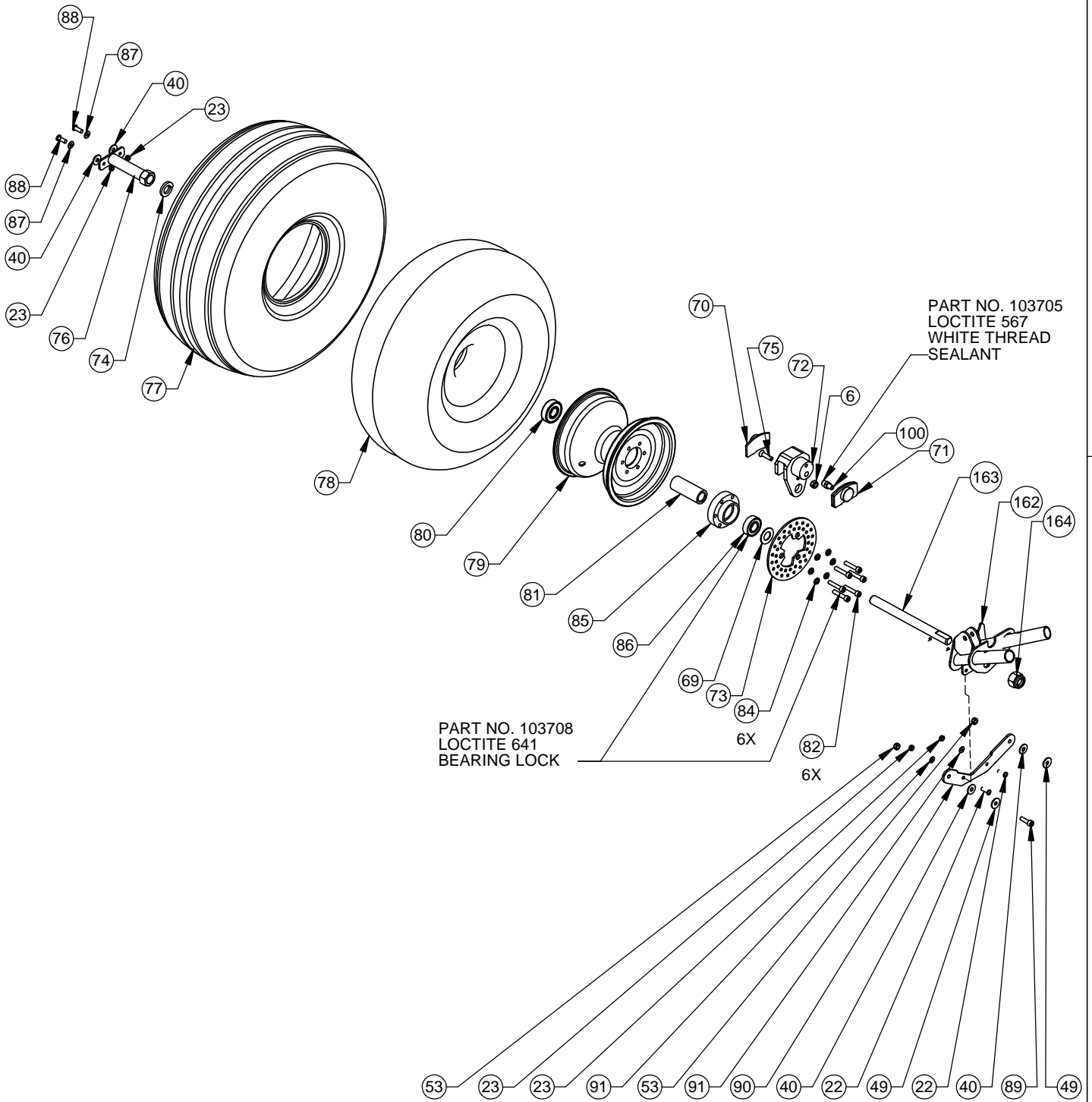


ITEM NO.	PART NO.	NAME
4	100042	WASHER AN4
14	100037	NUT NYLOC AN5 HALF
41	100035	NUT NYLOC AN4 HALF
151	100021	BOLT AN5-30A
153	100017	BOLT AN5-22A
154	100043	WASHER AN5
155	100036	NUT NYLOC AN5 FULL
156	108448	REAR STRUT FAIRED XT 715MM
157	108449	REAR STRUT FAIRED DRAG LINK XT 797MM
158	109526	PIVOT BRACKET DRAG LINK XT TYPE 2 BLACK
159	112643	PIVOT BRACKET REAR STRUT XT BLACK
160	105176	BUSH ACETAL OD 22.2MM ID 8.1MM
161	101333	BOLT AN4-13A
162	112641	HUB COMPONENT REAR XT TYPE 3 LHS BLACK
163	110023	HUB AXLE EDGE XT TYPE 4 ZINC PLATED
164	105444	NUT NYLOC UNF 5/8IN ZINC

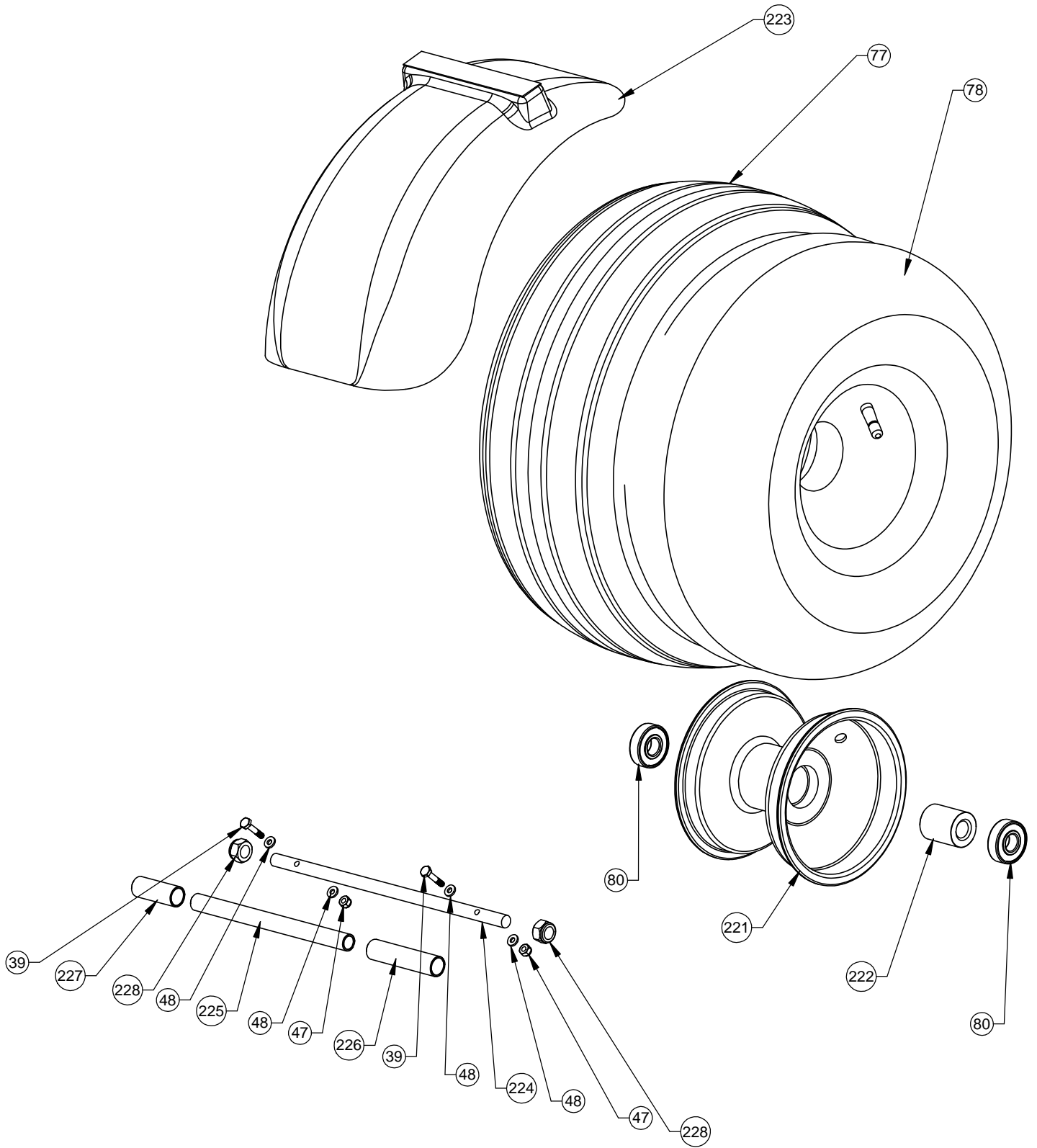


ITEM NO.	PART NO.	NAME
22	103182	SKT BUTTON SCREW M5 X 16 SS304
23	101365	NUT NYLOC M 5 ZINC
40	101055	WASHER NYLON M6 XOD
49	102018	WASHER SS 1-4 X 3-4"
53	102132	NUT NYLOC M 6 ZINC
69	108584	WASHER AN10 FBI NO AN960-1016
70	112905	BRAKE PAD OUTER FBI NO 44753 REV 1
71	109563	BRAKE PAD INNER INCL PLATE FBI 44931-3
72	109395	DISK BRAKE CALIPER ASM INCL PISTON
73	112989	DISK BRAKE ROTOR 1050 STEEL 44746 REVD
74	100600	SPRING WASHER 5/8 ZINC
75	102062	SKT CSK SCREW UNF 1/4IN X1IN ZINC
76	109059	SPAT AXLE BRACKET XT 97MM BLACK
77	112949	TYRE 600-6 4PLY
78	105250	TYRE TUBE INNER 6IN SUIT TYRE 8.00X6
79	108458	WHEEL RIM 6IN FOR DISK BRAKES BX
80	100270	BEARING 6IN RIM
81	108559	SPACER 5/8" ID X 25.4OD X 65L
82	108522	SKT CAP SCREW M 6 X 30 SS MODIFIED
84	104582	SPRING WASHER 6MM ZINC
85	108322	WHEEL RIM DISK ADAPTER XT SERIES
86	108558	BEARING FOR DISK ADAPTER FBI PT NO 44755
87	100569	WASHER SS 3-16 X 1-2"
89	105752	SKT CAP SCREW M 6 X 20 SS
91	100055	WASHER SS 3-16 X 7-16" 304 FLAT
92	108577	SCREW BRAKE BLEED FBI 44767
100	112711	BRAKE JIC-03 FIT 1/8 NPT ST FBI 13842
163	110023	HUB AXLE EDGE XT TYPE 4 ZINC PLATED
164	105444	NUT NYLOC UNF 5/8IN ZINC
165	112642	HUB COMPONENT REAR XT TYPE 3 RHS BLACK

PAGE: Rear Wheel RHS Parts

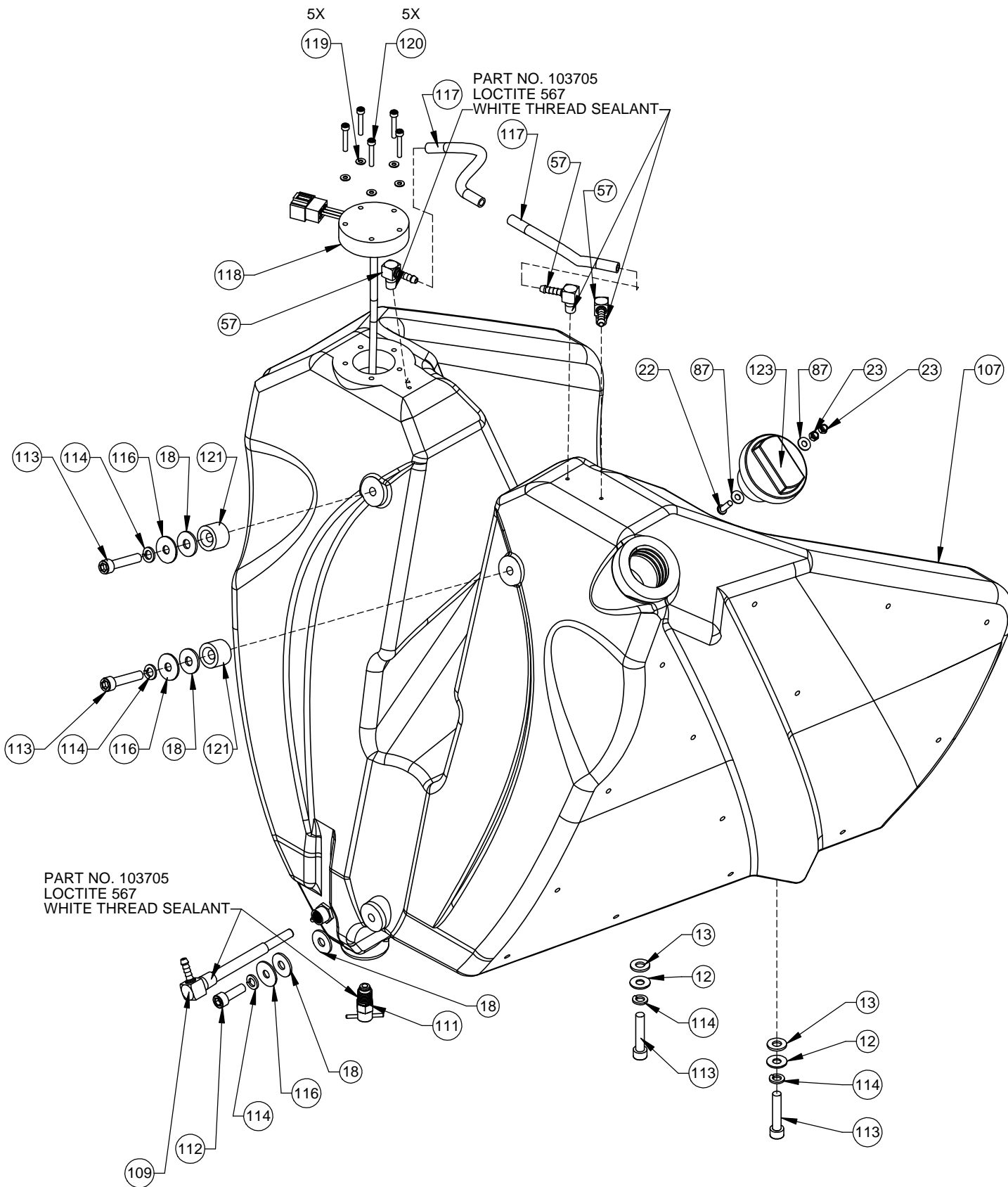


ITEM NO.	PART NO.	NAME
6	100034	NUT NYLOC AN4 FULL
22	103182	SKT BUTTON SCREW M5 X 16 SS304
23	101365	NUT NYLOC M 5 ZINC
40	101055	WASHER NYLON M6 XOD
49	102018	WASHER SS 1-4 X 3-4"
53	102132	NUT NYLOC M 6 ZINC
69	108584	WASHER AN10 FBI NO AN960-1016
70	112905	BRAKE PAD OUTER FBI NO 44753 REV 1
71	109563	BRAKE PAD INNER INCL PLATE FBI 44931-3
72	109395	DISK BRAKE CALIPER ASM INCL PISTON
73	112989	DISK BRAKE ROTOR 1050 STEEL 44746 REVD
74	100600	SPRING WASHER 5/8 ZINC
75	102062	SKT CSK SCREW UNF 1/4IN X1IN ZINC
76	109059	SPAT AXLE BRACKET XT 97MM BLACK
77	112949	TYRE 600-6 4PLY
78	105250	TYRE TUBE INNER 6IN SUIT TYRE 8.00X6
79	108458	WHEEL RIM 6IN FOR DISK BRAKES BX
80	100270	BEARING 6IN RIM
81	108559	SPACER 5/8" ID X 25.4OD X 65L
82	108522	SKT CAP SCREW M 6 X 30 SS MODIFIED
84	104582	SPRING WASHER 6MM ZINC
85	108322	WHEEL RIM DISK ADAPTER XT SERIES
86	108558	BEARING FOR DISK ADAPTER FBI PT NO 44755
87	100569	WASHER SS 3-16 X 1-2"
88	101752	SKT BUTTON SCREW M6 x 16
89	105752	SKT CAP SCREW M 6 X 20 SS
90	108812	SPAT MOUNT BRACKET XT MK2 TUNDRA
91	100055	WASHER SS 3-16 X 7-16" 304 FLAT
100	112711	BRAKE JIC-03 FIT 1/8 NPT ST FBI 13842
162	112641	HUB COMPONENT REAR XT TYPE 3 LHS BLACK
163	110023	HUB AXLE EDGE XT TYPE 4 ZINC PLATED
164	105444	NUT NYLOC UNF 5/8IN ZINC

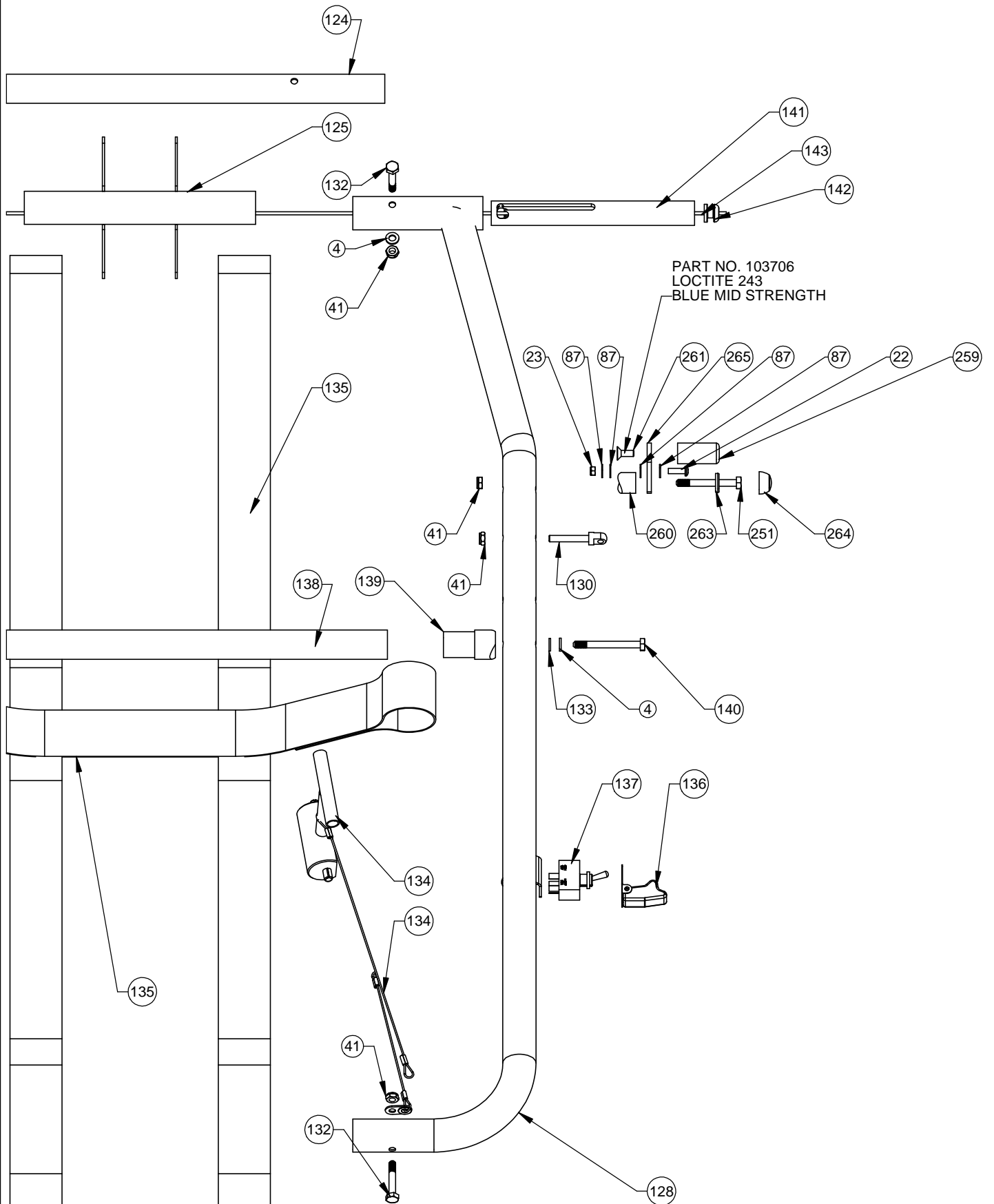


ITEM NO.	PART NO.	NAME
26	100162	POP RIVET AL 1/8 (4-4) SHORT
39	102927	BOLT AN3-10A
47	100051	NUT NYLOC AN3 FULL
48	100049	WASHER AN3
77	112949	TYRE 600-6 4PLY
78	105250	TYRE TUBE INNER 6IN SUIT TYRE 8.00X6
80	100270	BEARING 6IN RIM
221	100269	WHEEL RIM 6IN DRILLED FOR VALVE STEM
222	106271	SPACER INNER WHEEL BEARING AL
223	106232	MUDGUARD EDGE X/XT TUNDRA ASM BLACK
224	105198	AXLE TUNDRA INCL HOLES
225	108478	FRONT AXLE SLEEVE 198MM TUNDRA
226	106255	FRONT AXLE SLEEVE 83.5MM TUNDRA
227	108479	FRONT AXLE SLEEVE 50.5MM TUNDRA
228	103612	NUT NYLOC M12 FINE ZINC

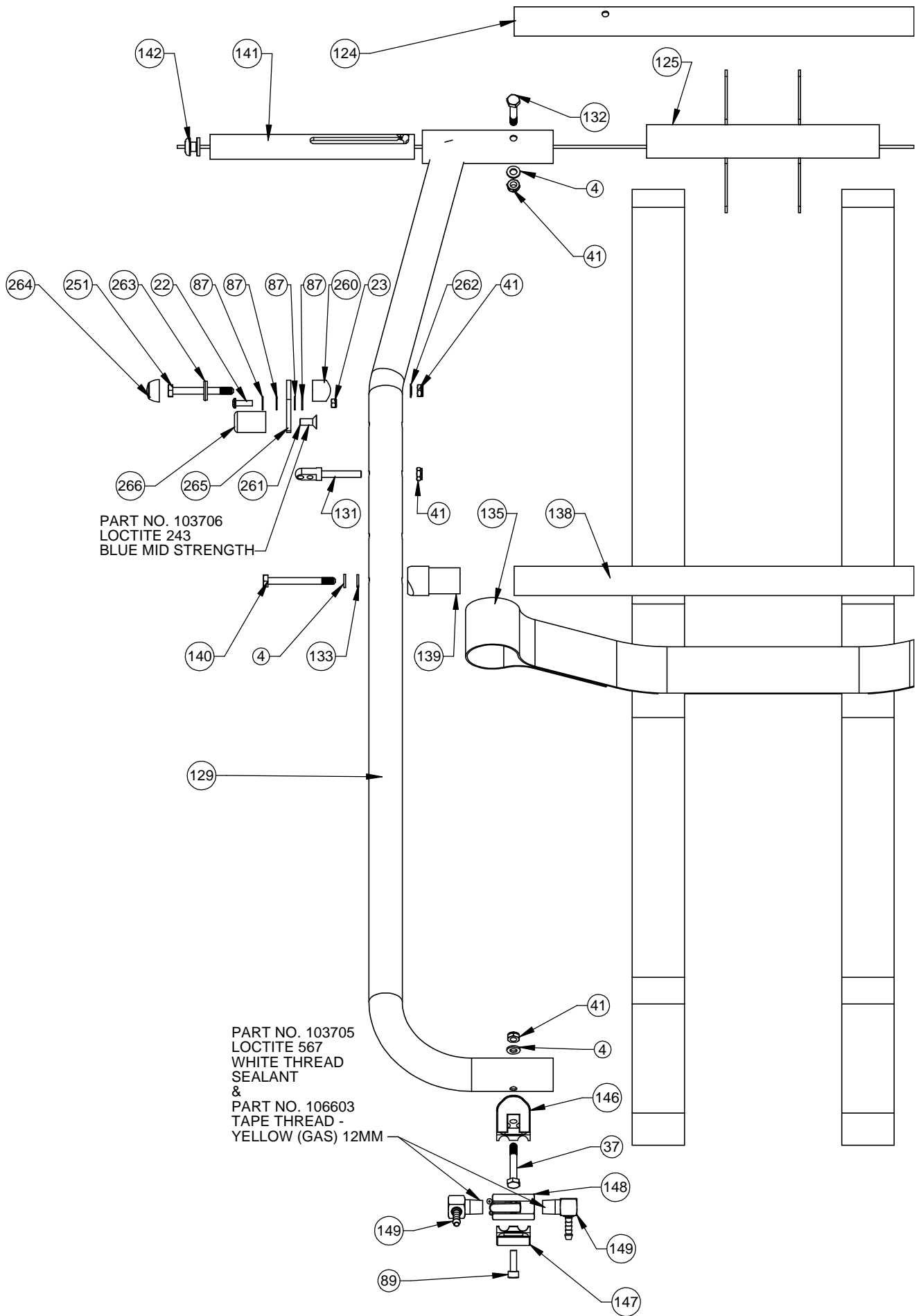
PAGE: Front Wheel Parts



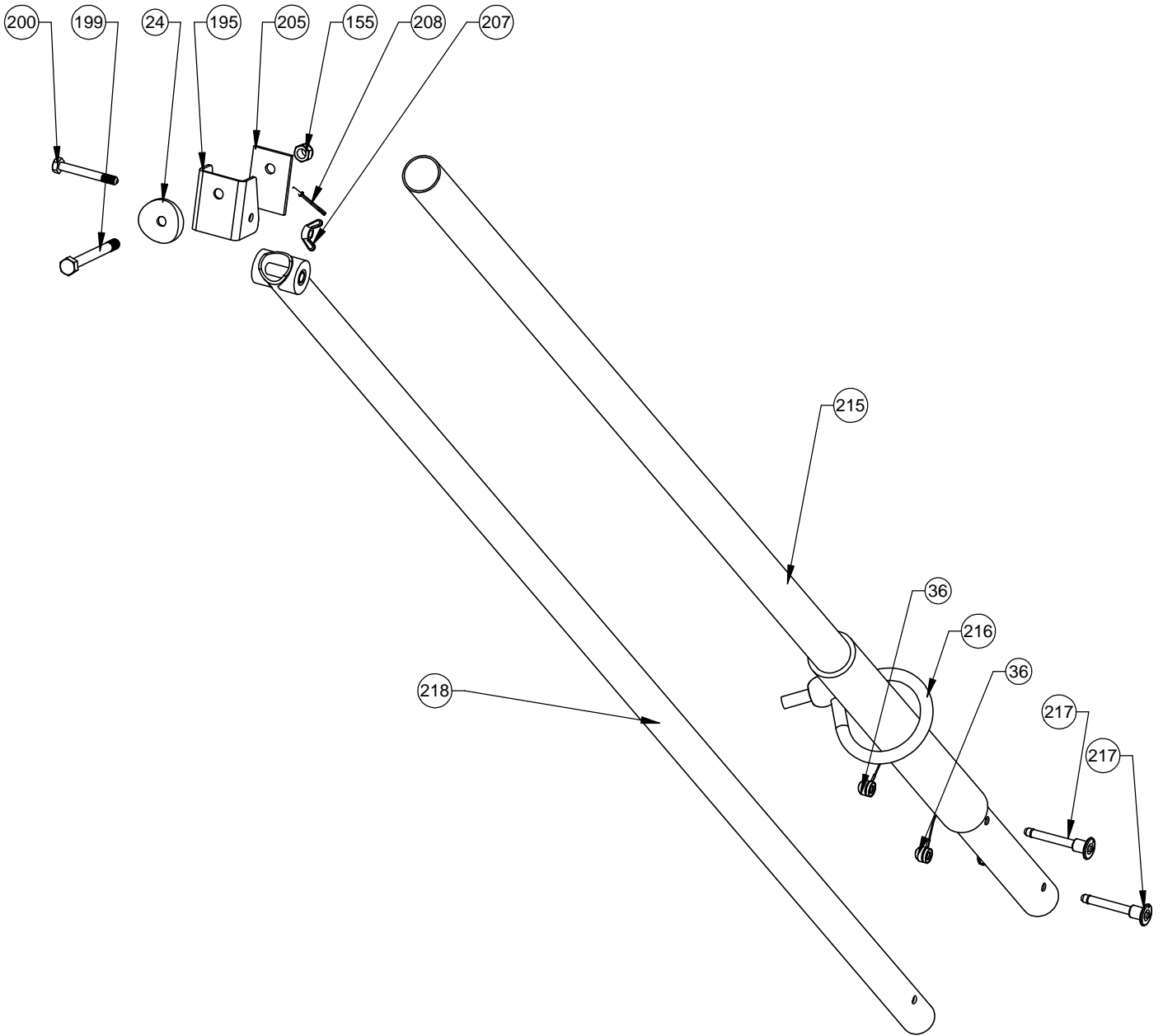
ITEM NO.	PART NO.	NAME
12	102332	WASHER SS 5-16 X 3-4"
13	100595	WASHER NYLON M8 STD
18	100820	WASHER NYLON M 8 XOD
22	103182	SKT BUTTON SCREW M5 X 16 SS304
23	101365	NUT NYLOC M 5 ZINC
57	100876	ELBOW TANK/SIGHT 1/8IN BSP BRASS
87	100569	WASHER SS 3-16 X 1-2"
107	111369	FUEL TANK SUBASM EDGE XT 55 LITRE
109	112638	FUEL TANK FILTER-OUTLET ASM TYPE 3 XT
111	100873	CURTIS DRAIN CCK CCA-1600
112	100980	SKT CAP SCREW M 8 X 25 ZINC
113	101519	SKT CAP SCREW M 8 X 40 ZINC
114	101366	SPRING WASHER 8MM ZINC
116	100714	WASHER SS304 5/16 X 1IN X 16G
117	101408	PVC TUBE CLEAR 6MM
118	112826	FUEL LEVEL SENDER ASM
119	102090	WASHER SS M4 STD
120	100923	SKT CAP SCREW M 4 X 25 SS
121	112863	BUSH ACETAL 25OD 8.4ID 18L
123	105478	FUEL CAP XT 82 ULP



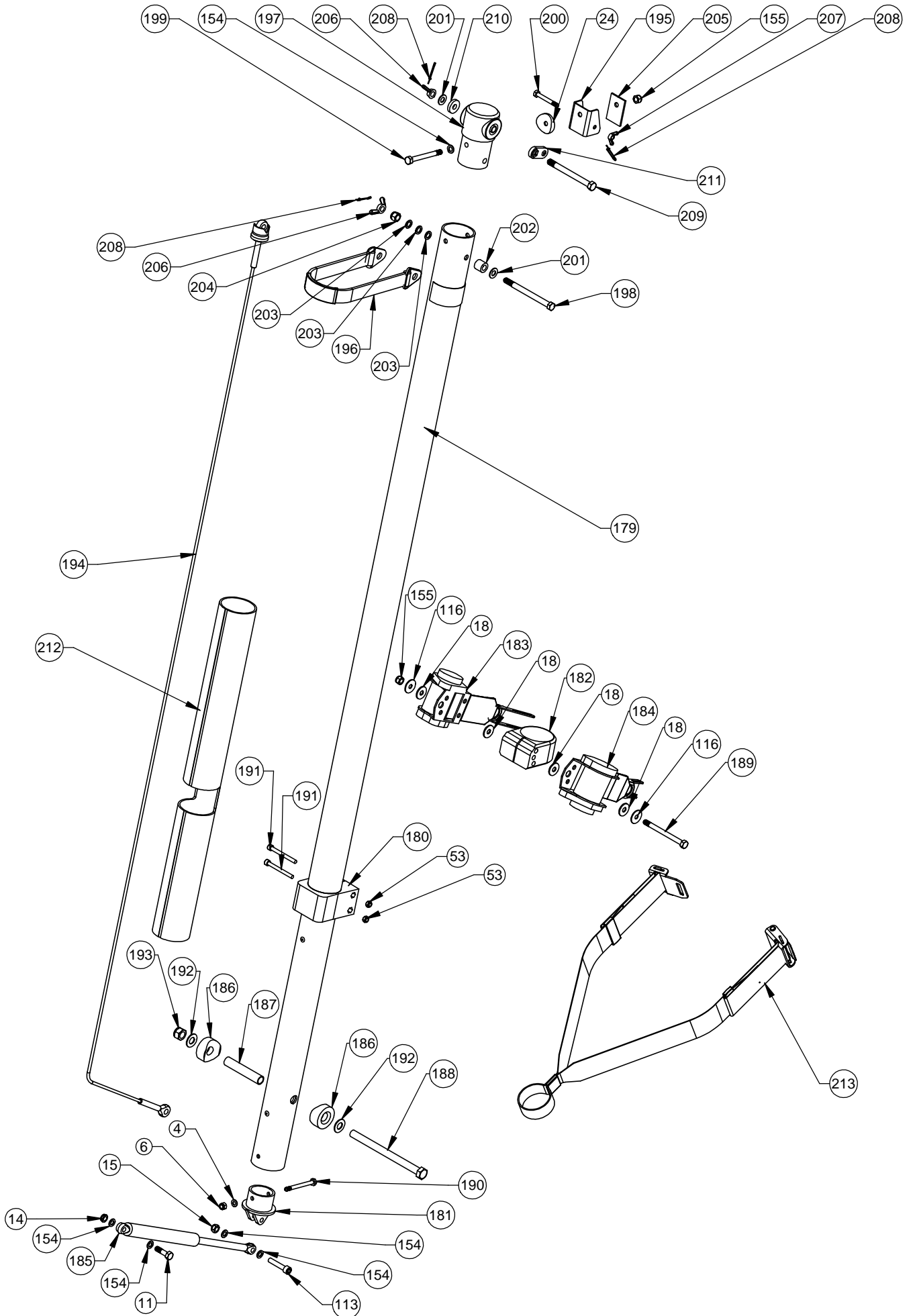
ITEM NO.	PART NO.	NAME
4	100042	WASHER AN4
22	103182	SKT BUTTON SCREW M5 X 16 SS304
23	101365	NUT NYLOC M 5 ZINC
41	100035	NUT NYLOC AN4 HALF
87	100569	WASHER SS 3-16 X 1-2"
124	112651	SEAT TUBE BTM XT ALUMINIUM TYPE 2
125	112527	SEAT BASE MOUNT EDGE XT BLACK
128	112398	SEAT FRAME TUBE ASM XT912 MK3 RHS BLK
130	104726	EYEBOLT HAND THROTTLE CABLE
132	100559	BOLT AN4-14A
133	102424	WASHER NYLON 1-4" OBA THICK
134	105490	OVER-CENTRE LATCH WITH SAFETY XT
135	112544	SEAT HARNESS XT912 MK3
136	112650	SWITCH MISSILE COVER
137	112344	SWITCH IGNITION DPST TOGGLE
138	112655	SEAT TUBE MID XT ALUMINIUM
139	112844	STEPPED SADDLE 28MM ASM
140	100587	BOLT AN4-24A
141	112667	FOOT PEG PASSENGER X912 MK3
142	108822	TONNEAU BUTTON FORD
143	111973	SHOCK CORD 3MM X 600L
251	100549	BOLT AN4-22A
259	106531	KNOB - HAND PLASTIC 40
260	105456	SPACER HAND THROTTLE-CHOKE LEVER XT
261	106275	SKT CSK SCREW M 6X 16 SS304
263	100604	CAP WASHER BASE CLIP M 8
264	100603	CAP WASHER COVER BLACK M 8
265	106476	HAND LEVER TYPE 2 (COUNTERSINK)



ITEM NO.	PART NO.	NAME
4	100042	WASHER AN4
22	103182	SKT BUTTON SCREW M5 X 16 SS304
23	101365	NUT NYLOC M 5 ZINC
37	100967	BOLT AN4-15A
41	100035	NUT NYLOC AN4 HALF
87	100569	WASHER SS 3-16 X 1-2"
89	105752	SKT CAP SCREW M 6 X 20 SS
124	112651	SEAT TUBE BTM XT ALUMINIUM TYPE 2
125	112527	SEAT BASE MOUNT EDGE XT BLACK
129	112332	SEAT FRAME TUBE ASM XT912 MK3 LHS BLK
131	103955	EYEBOLT CHOKE CABLE TYPE 2
132	100559	BOLT AN4-14A
133	102424	WASHER NYLON 1-4" OBA THICK
135	112544	SEAT HARNESS XT912 MK3
138	112655	SEAT TUBE MID XT ALUMINIUM
139	112844	STEPPED SADDLE 28MM ASM
140	100587	BOLT AN4-24A
141	112667	FOOT PEG PASSENGER X912 MK3
142	108822	TONNEAU BUTTON FORD
146	105240	FUEL TAP BRACKET XT FWD
147	105241	FUEL TAP BRACKET XT AFT
148	105346	FUEL TAP HEX
149	100982	ELBOW MALE 1/4X1/4 BSP
251	100549	BOLT AN4-22A
260	105456	SPACER HAND THROTTLE-CHOKE LEVER XT
261	106275	SKT CSK SCREW M 6X 16 SS304
262	106346	WASHER SS304 M 6 X12.5 BELLEVILLE
263	100604	CAP WASHER BASE CLIP M 8
264	100603	CAP WASHER COVER BLACK M 8
265	106476	HAND LEVER TYPE 2 (COUNTERSINK)
266	106530	KNOB - HAND PLASTIC 30



ITEM NO.	PART NO.	NAME
24	100080	SADDLE 60MM TUBE
36	101418	PIP PIN CAP WITH WIRE
155	100036	NUT NYLOC AN5 FULL
195	100762	BRACKET A FRAME TOP TYPE 1 STAINLESS
199	100022	BOLT AN5-31A
200	105330	BOLT AN4-20
205	101185	WASHER SS SQUARE 34X50
207	112096	WINGNUT UNF 1/4IN SS GR304
208	100920	SAFETY PIN AN416-1
215	105313	MAST BRACE SLIDER EDGE XT
216	104783	BUNGIE TRIKE C/BAR
217	102146	PIP PIN 38
218	105294	MAST BRACE TOP INNER EDGE XT

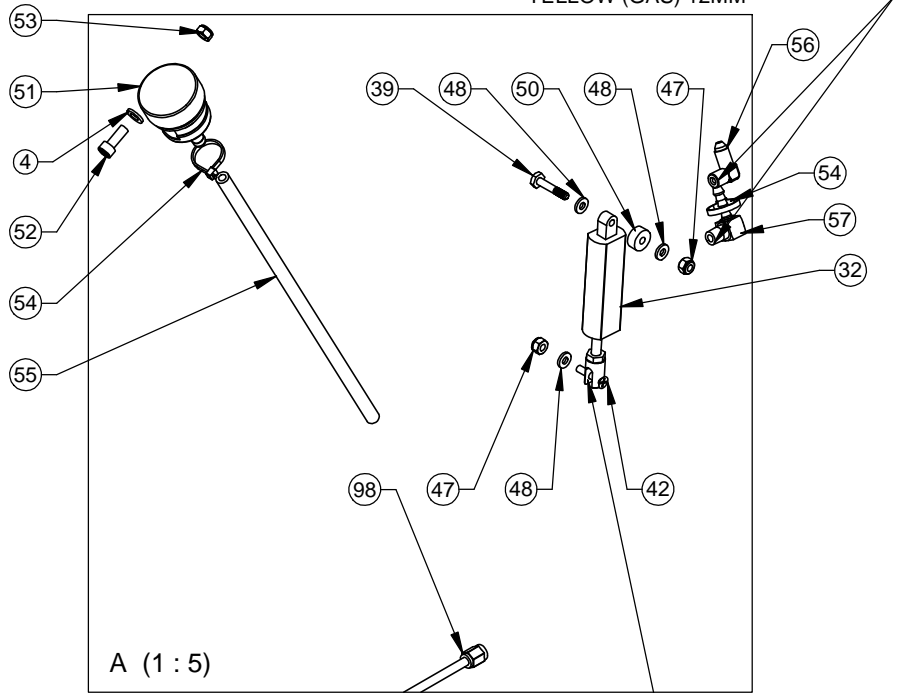
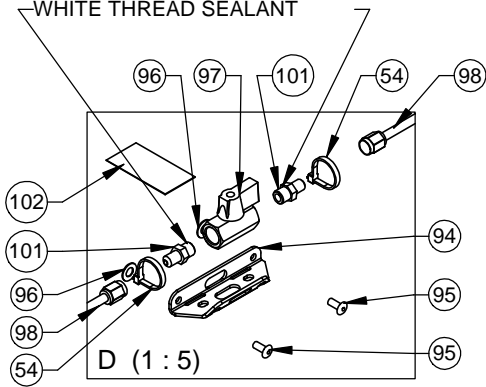


PAGE: Mast View

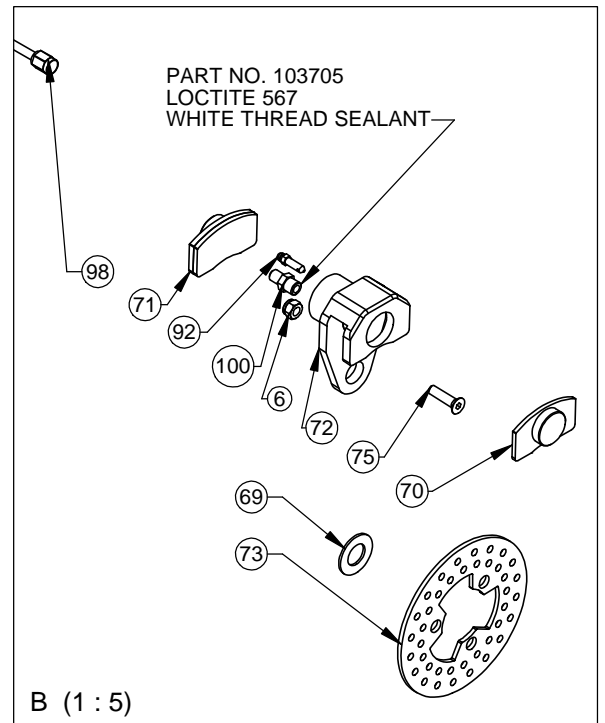
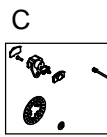
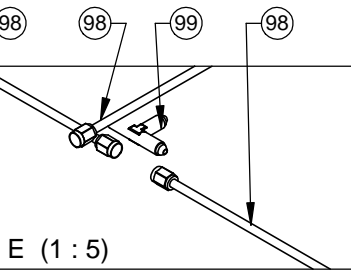
ITEM NO.	PART NO.	NAME
4	100042	WASHER AN4
6	100034	NUT NYLOC AN4 FULL
11	102743	BOLT AN5-11
14	100037	NUT NYLOC AN5 HALF
15	100915	NUT NYLOC M 8 ZINC
18	100820	WASHER NYLON M 8 XOD
24	100080	SADDLE 60MM TUBE
53	102132	NUT NYLOC M 6 ZINC
113	101519	SKT CAP SCREW M 8 X 40 ZINC
116	100714	WASHER SS304 5/16 X 1IN X 16G
154	100043	WASHER AN5
155	100036	NUT NYLOC AN5 FULL
179	112745	MAST TUBE EDGE XT WITH INT SLEEVE TYPE 3
180	104888	MAST CLAMP BLOCK XT (PLASTIC)
181	104886	MAST BTM KNUCKLE XT
182	105129	SHOULD BELT MAST BLOCK XT
183	111129	SEAT BELT SHLDR REAR XT TYPE 4 LHS
184	111130	SEAT BELT SHLDR REAR XT TYPE 4 RHS
185	105149	GAS STRUT 200MM BODY
186	104911	SADDLE MAST EDGE XT
187	105425	BUSH MAST PIVOT EDGE XT
188	105327	BOLT 8.8 GR UNC 1/2X170MM MODIFIED
189	100026	BOLT AN5-36A
190	100009	BOLT AN4-26A
191	101744	SKT CAP SCREW M 6 X 60 SS
192	100093	WASHER SS304 1/2 X 1IN
193	101174	NUT NYLOC UNC 1/2IN ZINC
194	112742	MAST SAFETY WIRE ASM XT TYPE 3 WITH CAP
195	100762	BRACKET A FRAME TOP TYPE 1 STAINLESS
196	100865	BACKUP LOOP - TRIKE
197	109778	MAST TOP ADAPTER SUBASM XT TYPE 2
198	109729	BOLT MAST TOP SAFETY 112.5MM MIN
199	100022	BOLT AN5-31A
200	105330	BOLT AN4-20
201	100924	WASHER SS304 3/8 X 3/4
202	109732	SPACER ALLOY OD 18X ID 25-64X 16L
203	100044	WASHER AN6
204	100038	NUT NYLOC AN6 FULL
205	101185	WASHER SS SQUARE 34X50
206	111539	WINGNUT UNF 3/8IN SS GR304
207	112096	WINGNUT UNF 1/4IN SS GR304
208	100920	SAFETY PIN AN416-1
209	100033	BOLT AN6-41
210	111636	BUSH ACETAL 25OD X 9.5ID X 5L
211	104739	RETAINER ASM BOLT HEAD
212	106532	MAST HEAD REST PADDING ASM XT
213	109200	SEAT BELT LAP REAR XT ASM TYPE 3 409

PART NO. 103705 LOCTITE 567
WHITE THREAD SEALANT
&
PART NO. 106603 TAPE THREAD -
YELLOW (GAS) 12MM

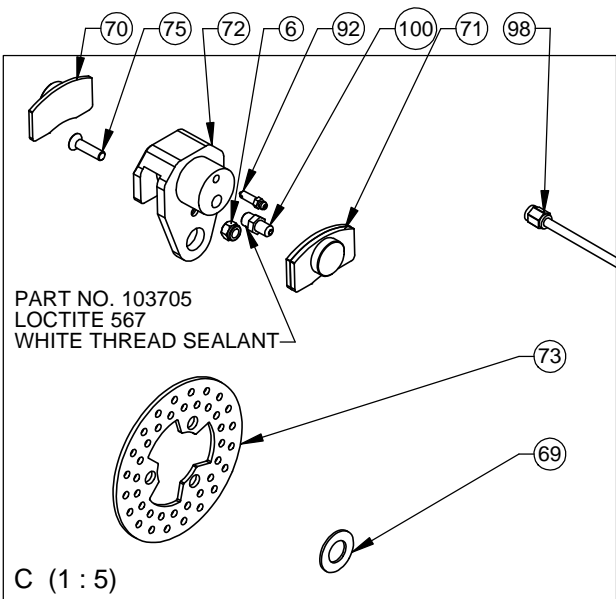
PART NO. 103705 LOCTITE 567
WHITE THREAD SEALANT



PART NO. 106432
DRI LUBE SOLID
LUBRICANT



PART NO. 103705
LOCTITE 567
WHITE THREAD SEALANT



ITEM NO.	PART NO.	NAME
4	100042	WASHER AN4
6	100034	NUT NYLOC AN4 FULL
32	111133	DISK BRAKE MASTER CYL TYPE 2
39	102927	BOLT AN3-10A
42	104203	MACH SCREW MS24694-S 56 3/16X29/32IN
47	100051	NUT NYLOC AN3 FULL
48	100049	WASHER AN3
50	113042	SPACER AL 15DX5IDX6.5L
51	112860	BRAKE FLUID RESERVOIR
52	103187	SKT CAP SCREW M 6 X 16 ZINC
53	102132	NUT NYLOC M 6 ZINC
54	101193	CABLE TIE (MEDIUM) 140MM
55	113062	HOSE 5MM FUEL GRADE CLEAR 300L
56	112712	BRAKE JIC-03 FIT 1/8 NPT ELBOW FBI 13843
57	100876	ELBOW TANK/SIGHT 1/8IN BSP BRASS
69	108584	WASHER AN10 FBI NO AN960-1016
70	112905	BRAKE PAD OUTER FBI NO 44753 REV 1
71	109563	BRAKE PAD INNER INCL PLATE FBI 44931-3
72	109395	DISK BRAKE CALIPER ASM INCL PISTON
73	112989	DISK BRAKE ROTOR 1050 STEEL 44746 REVD
75	102062	SKT CSK SCREW UNF 1/4IN X1IN ZINC
77	112949	TYRE 600-6 4PLY
92	108577	SCREW BRAKE BLEED FBI 44767
93	108510	CASTROL TQ DEXRON III
94	113039	BRACKET HYDRAULIC BRAKE 2MM
95	100160	POP RIVET AL 3/16 (6-4) SHORT
96	103961	WASHER NYLON 1-4" OBA THIN
97	113057	BRAKE TAP HEX 1/8 BSP
98	112709	BRAKE LINE BRAIDED 914MM FBI 13900-3
99	112713	BRAKE JIC-03 FIT TEE FBI 13844
100	112711	BRAKE JIC-03 FIT 1/8 NPT ST FBI 13842
101	113060	BRAKE JIC-03 FIT 1/8 BSP ST
102	113069	PLACARD CAUTION PARK BRAKE

END OF THIS SECTION
THIS PAGE LEFT INTENTIONALLY BLANK