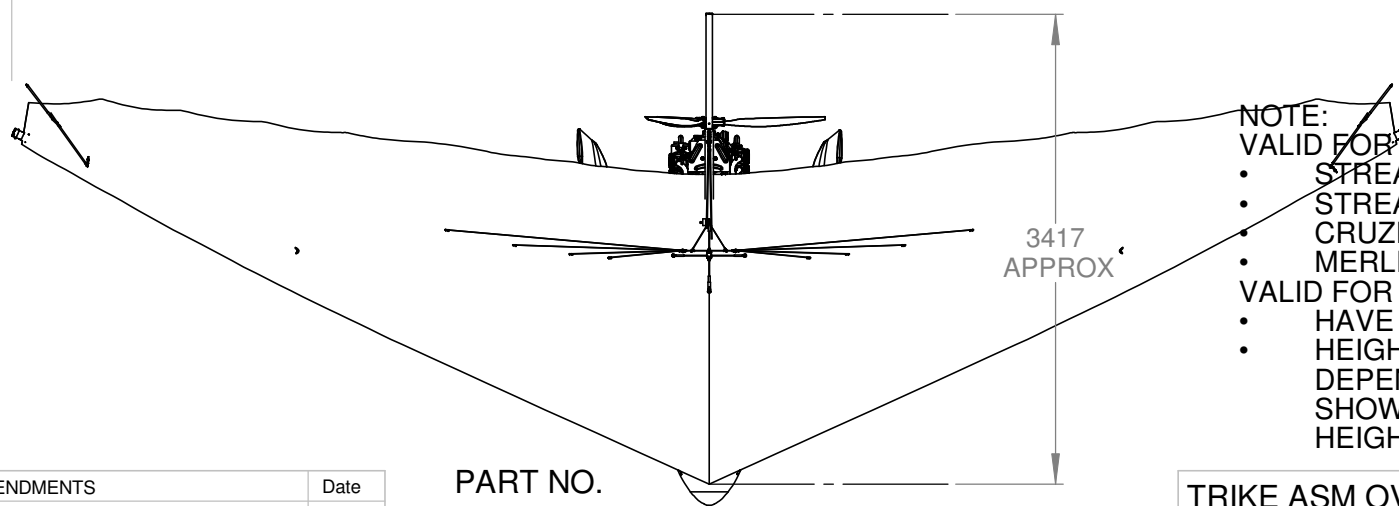
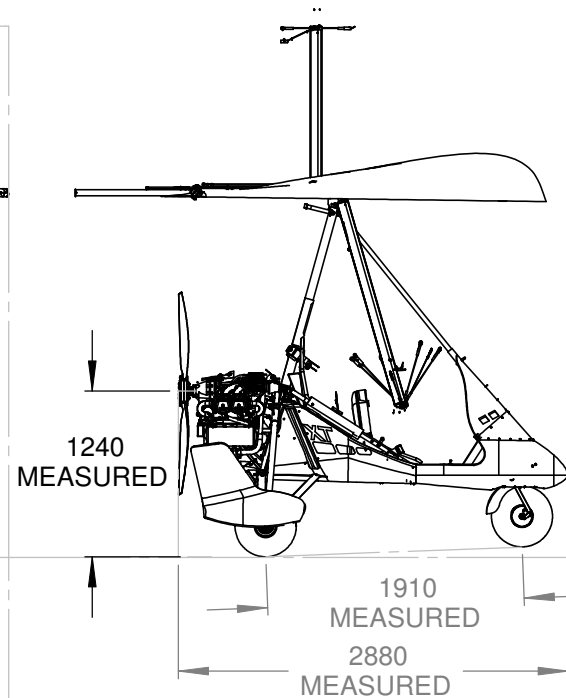


NOTE:
 3D ASSEMBLY IS NOT FULLY
 DIMENSIONALLY CORRECT.
 DIMENSIONS GIVEN ARE
 MEASURED FROM AN ACTUAL
 TRIKE.
 MEASUREMENTS MAY NOT BE
 FULLY ACCURATE DUE TO
 PARALAX ERRORS DURING
 MEASUREMENT.



NOTE:
 VALID FOR ALL S SERIES WINGS

- STREAK 3
- STREAK 2B
- CRUZE
- MERLIN

VALID FOR ALL XT SERIES TRIKE BASES WHICH

- HAVE THE SAME WHEELBASE
- HEIGHT FROM GROUND WILL VARY SLIGHTLY
 DEPENDING ON TYRE TYPE. TUNDRA IS
 SHOWN GIVING MAXIMUM WIDTH AND
 HEIGHT OF ALL VARIANTS.

Rev	AMENDMENTS	Date

PART NO.

LAST ACESSED: Wednesday, 18 March 2009

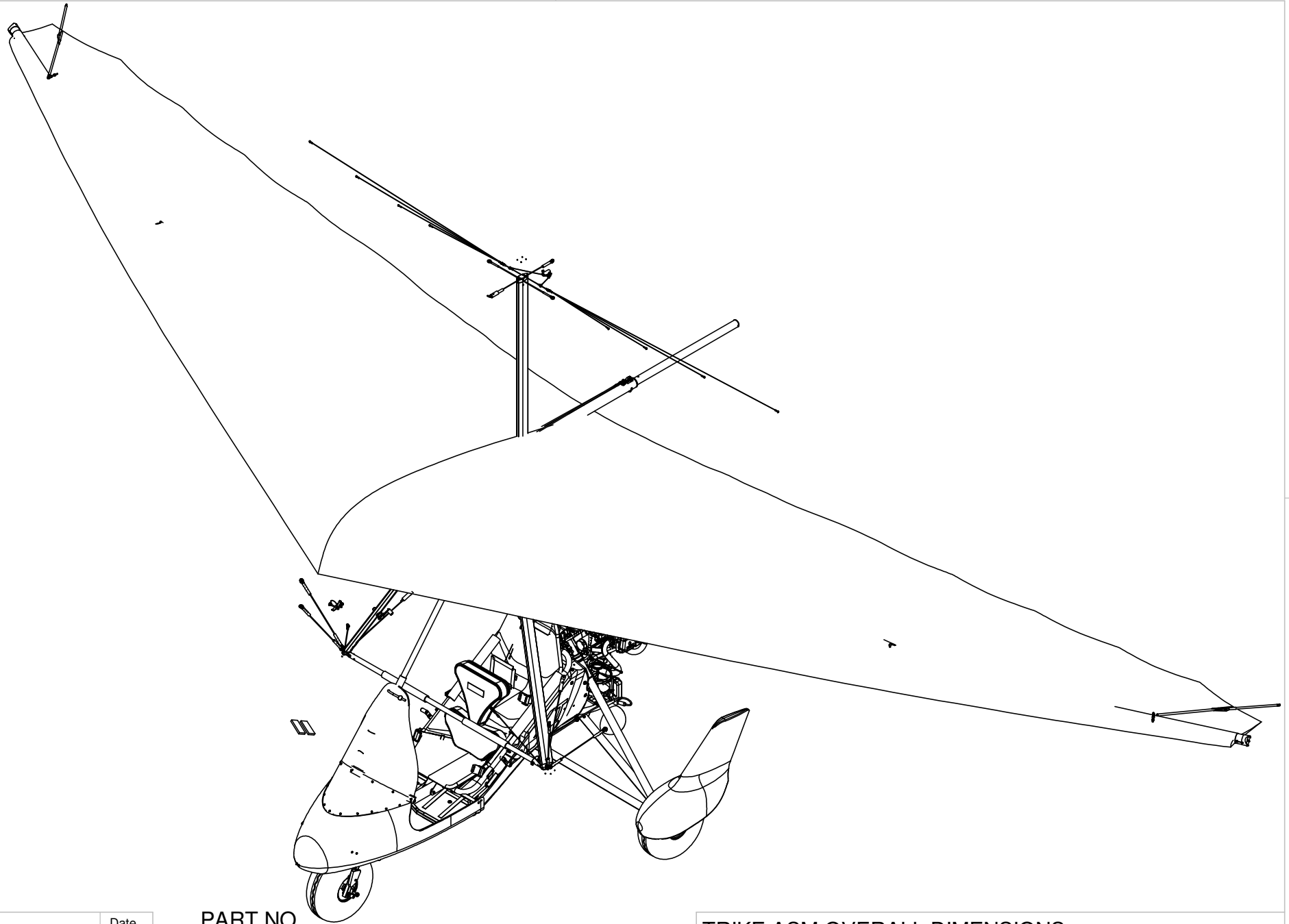
ALL DIMENSIONS IN MILLIMETERS UNLESS STATED OTHERWISE

TRIKE ASM OVERALL DIMENSIONS

Drawn By	Scale	Date
Simon	1:55	18-03-09



7772
 SHEET 1 of 2



Rev	AMENDMENTS	Date

PART NO.

LAST ACESSED: Wednesday, 18 March 2009

ALL DIMENSIONS IN MILLIMETERS UNLESS STATED OTHERWISE

TRIKE ASM OVERALL DIMENSIONS

Drawn By	Scale	Date
Simon	1:30	18-03-08



7772
SHEET 2 of 2